



Instructions

EN INSTRUCTIONS



U-POWER / U-POWER+ / U-POWER+ (3 CONNECTORS)

ORIGINAL MANUAL



- Original document in **Spanish (ES)**.
- Product images and specifications are subject to change without notice.
- In case of discrepancy in the translations, the original version shall prevail.

MISUSE OF EQUIPMENT



- This device is for professional use only. Read all instruction manuals, tags, and labels before operating the device.
- Use the device only for its intended purpose.
- This device has not been approved for being used in commercial transactions.
- Install and use the device following all local and national regulations including all health, safety and environmental laws and regulations.
- Do not tamper the device.
- Any unauthorized modification to the device, misuse, improper maintenance, or identification label removal may void the warranty.
- Verify the correct settings of the monitoring system prior to the first use.
- Do not install the device in places with high humidity or near water.
- Do not install this device in places with high ambient temperature or near heat sources.

ELECTRICAL LIMITS



- Do not exceed the permissible electrical ranges of the device.
- Any device malfunction must be examined by qualified personnel.
- Do not remove the power supply housing as there is a risk of damage due to electrical contact.

INFORMATION ON WASTE DISPOSAL



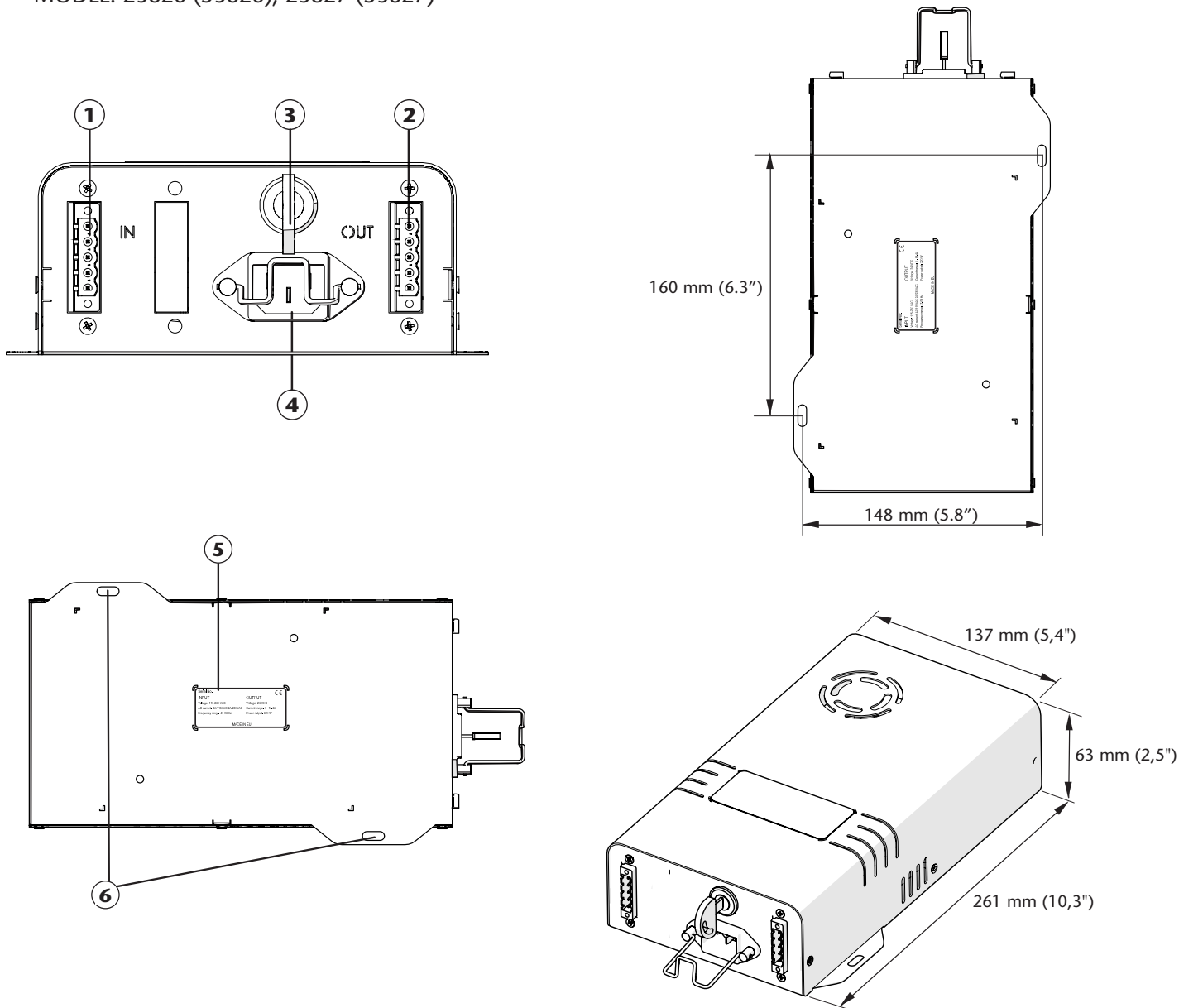
- The above symbol indicates that, in accordance with local regulations, your product and/or its battery must be disposed of separately from household waste. When this product reaches the end of its useful life, it must be taken to a collection point designated by the local authorities. Separate collection and recycling of the product or its battery at the time of disposal will help protect natural resources and ensure that it is recycled in a way that protects human health and the environment.

- Power supply to solenoid valves and other system components.
- The U-Power/ U-Power+ device is intended to work as a power supply for the fluid monitoring system equipment.
- U-power connects using CAN BUS cable to a U-valve, U-valve+, U-meter, U-meter+, U-view tank, U-view, U-connect or U-count whenever the power supplied by a U-dat Keypad is not present.

	U-POWER	U-POWER +	U-POWER+ (3X CAN BUS)
ORDER INFO.	23826 (53826)	23827 (53827)	23828 (53828)
DESCRIPTION	Power supply unit with a 75 W transformer for use with 2 solenoid valves maximum (1 IN and 1 OUT).	Power supply unit with a 320 W transformer for use with 8 solenoid valves maximum, with 2 CAN BUS connectors (1 IN and 1 OUT).	Power supply unit with a 320 W transformer for use with 8 solenoid valves maximum, with 3 CAN BUS connectors (1 IN and 2 OUT).
INPUT: VOLTAGE	115V/230V AC	115V/230V AC	115V/230V AC
INPUT: CURRENT	1.4A/115V AC 0.85A/230V AC	4A/115V AC 2A/230V AC	4A/115V AC 2A/230V AC
INPUT: FREQUENCY	47 - 63 HZ	47 - 63 HZ	47 - 63 HZ
OUTPUT: VOLTAGE	24VDC	24VDC	24VDC
OUTPUT: CURRENT	0-3.1 A	0-13.4 A	0-13.4 A
OUTPUT: POWER	75W	320W	320 W
CAN BUS CONNECTIONS	2 x CAN BUS Connections	2 x CAN BUS Connections	3 x CAN BUS Connections
OTHER CONNECTIONS	1 x IEC Connector (C13) 1 x By-pass Key	1 x IEC Connector (C13) 1 x By-pass Key	1 x IEC Connector (C13) 1 x By-pass Key
WEIGHT	1,3 kg (2.9 lb)	1,9 kg (4.2 lb)	1,9 kg (4.2 lb)
LENGTH	261 mm (10.3")	261 mm (10.3")	261 mm (10.3")
WIDTH	137 mm (5.4")	137 mm (5.4")	137 mm (5.4")
HEIGHT	63 mm (2.5")	63 mm (2.5")	63 mm (2.5")
ASSEMBLY HOLES PATTERN	160 x 148 mm (6.3" x 5.8")	160 x 148 mm (6.3" x 5.8")	160 x 148 mm (6.3" x 5.8")

2026_04_07-16:31

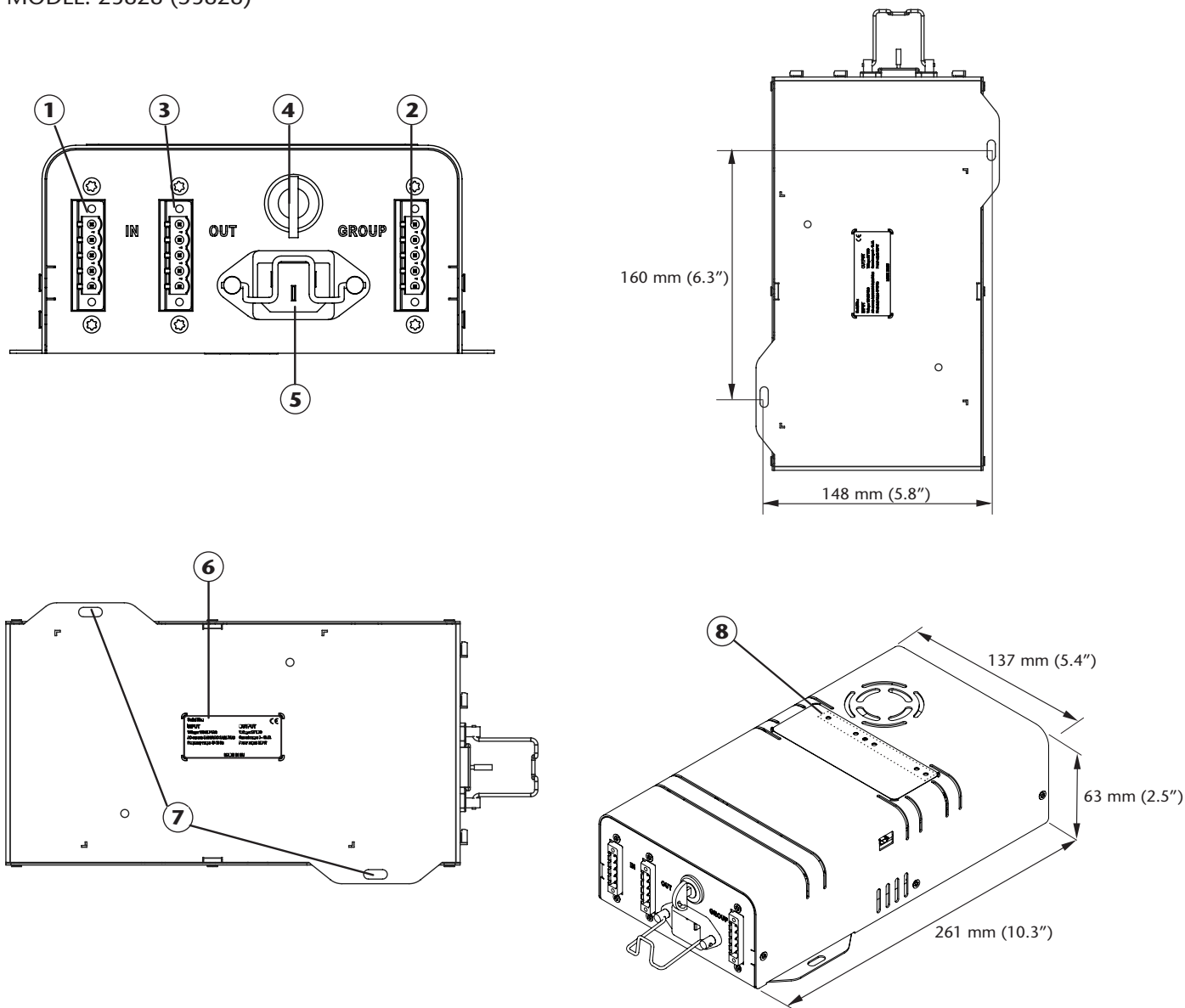
MODEL: 23826 (53826), 23827 (53827)



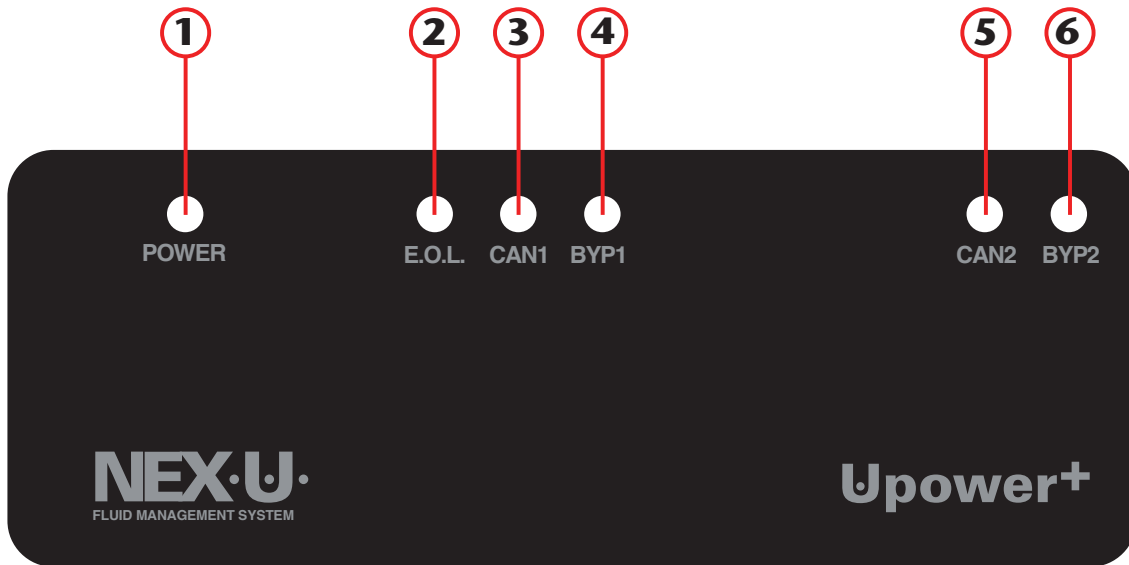
ITEM	DESCRIPTION
1	CAN BUS 1 (IN) Input point for the main bus data communication.
2	CAN BUS 2 (OUT) Output connection to branch the communication to a group of devices.
3	BY-PASS KEYSWITCH Key switch to activate the manual or emergency operating mode (by-pass mode)
4	IEC CONNECTOR An IEC connector is an electric component that carries power across different devices, from computers and appliances to data centers and other heavy-duty electronic systems.
5	TECHNICAL SPECS. LABEL Equipment specifications label
6	ASSEMBLY HOLES Holes intended for the physical anchoring and mounting of the equipment.

2026_04_07-16:31

MODEL: 23828 (53828)



ITEM	DESCRIPTION
1	CAN BUS 1 (IN) Input point for the main bus data communication.
2	CAN BUS 2 (GROUP) Output connection to branch the communication to a group of devices.
3	CAN BUS 3 (OUT) Output point to continue the main communication line.
4	BY-PASS KEYSWITCH Key switch to activate the manual or emergency operating mode (by-pass mode)
5	IEC CONNECTOR Standardized inlet for the electrical power supply cable.
6	TECHNICAL SPECS. LABEL Equipment specifications label
7	ASSEMBLY HOLES Holes intended for the physical anchoring and mounting of the equipment.
8	LED STATUS Description: LED Indicators for Network Status



	LED	COLOR	DESCRIPTION	STATE 1 (ON)	STATE 2 (OFF)
1	POWER	○ WHITE	POWER STATUS	ON: LED remains illuminated while the unit is switched on	OFF: LED turns off when the equipment is powered down
2	E.O.L.	● BLUE	END OF LINE (MAIN)	ON: End of Line resistor (120 Ω) is active/connected	OFF: End of Line resistor is inactive/disconnected
3	CAN1	● GREEN	CAN BUS 1 (MAIN)	ON: Active data transmission on BUS 1	OFF: No data traffic or bus disconnected
4	BYP1	● YELLOW	By-pass 1 (MAIN)	ON: No data traffic or bus disconnected	OFF: Normal operation mode
5	CAN2	● GREEN	CAN BUS 2 (GROUP)	ON: Active data transmission on BUS 2	OFF: No data traffic or bus disconnected
6	BYP2	● YELLOW	By-pass 2 (GROUP)	ON: By-pass mode is activated for circuit 2	OFF: Normal operation mode

2026_04_07-16:31



EC DECLARATION OF CONFORMITY



The manufacturer

Alentec&Orion AB, Grustagsvägen 4, SE-13840, Älta, Sweden

Declares under its own responsibility, that the product:

23826 (53826), 23827 (53827), 23828 (53828)
U·POWER / U·POWER+ / U·POWER+ (3 CONNECTORS)

complies with the directives: **2014/30/EU**

This declaration refers exclusively to the product in the state in which it was placed on the market, excluding added components and modifications made by the end user.

Krister Tynhage
Managing Director

Johan Norman
Product Manager

2026_04_07-16:31



NEX·U
®
FLUID MANAGEMENT SYSTEM

www.alentec.com

2026_04_07-16:31