



# Service Guide

## Model Series 595

595-A  
595-B  
595-C  
595-D

### Cordless Grease Gun

Español .....	Página 9
Français .....	Page 17
Deutsch .....	Seite 25
Italiano.....	Pagina 33
Nederlands.....	Pagina 41

#### Description

These model guns are designed to dispense petroleum-based greases (up to NLGI 2) for general lubrication applications. A 36-inch (0.91 meter) long high-pressure whip hose, heavy-duty grease coupler, 1-hour fast charger and molded carrying case are included. The guns are equipped with low battery and stall indicator lights and an LED flashlight.

The guns use an 18 Volt motor with three stages of gear reduction. A crank and yoke mechanism drives a reciprocating piston pump. The motor is powered by a rechargeable 18 Volt / 3000 mAh Lithium-ion battery pack.

Each model gun is designed for 3-way loading; cartridge, suction, and loader pump (requires optional loader fitting 322610). The guns are spring-primed and include an air bleed valve to aid priming.

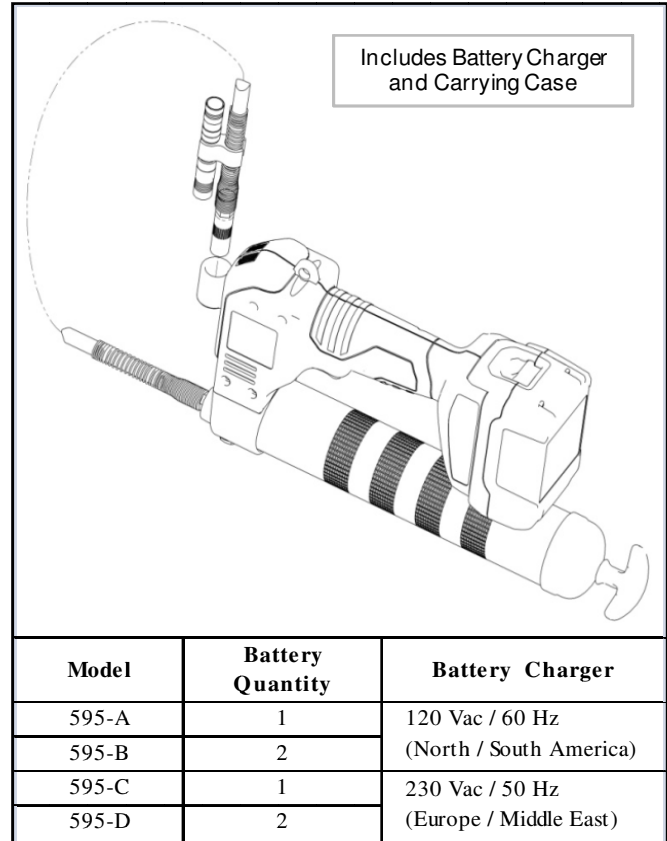
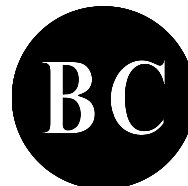


Figure 1 Cordless Grease Gun Series 595

#### Optional Accessories

Shoulder Strap	Mobile Battery Charger (12 Vdc to 18 Vdc)	Loader Fitting
339812	343154	322610



#### Specifications

Maximum Pressure		Flow Rate		Delivery Capacity when Fully Charged	Grease Cylinder Capacity			Hose Assembly				Weight (Empty)	
					Bulk		Cartridge Size	Pressure Rating		Length			
psi	bar	Oz./Min.	Gms/Min.	Cartridges	Ounces	Gms	Ounces	psi	bar	Inches	Meters	Lbs	Kg
8,000	552	6	170	27 <sup>1</sup>	16	454	14	10,000	690	36	0.91	7.2	3.3

Sound pressure ( $L_{pA}$ ) 72.3 dB(A), uncertainty (K) 3 dB(A)

Acoustic power ( $L_{WA}$ ) 83.3 dB(A), uncertainty (K) 3 dB(A)

Vibration emission value ( $a_h$ ) 0.6 m/s<sup>2</sup>, uncertainty (K) 1.5 m/s<sup>2</sup>

<sup>1</sup> NLGI 2 EP lithium grease at 75°F (24°C) dispensed through included hose assembly with grease coupler and against 150 psi (10 bar) added pressure (simulates grease fitting with ball check).

Alemite, LLC

167 Rowland Drive, Johnson City, Tennessee 37601

www.alemite.com

Copyright © 2011 by Alemite, LLC

This document contains confidential information that is the property of Alemite, LLC and is not to be copied, used, or disclosed to others without express written permission.

SER 595-A  
Revision (02-13)

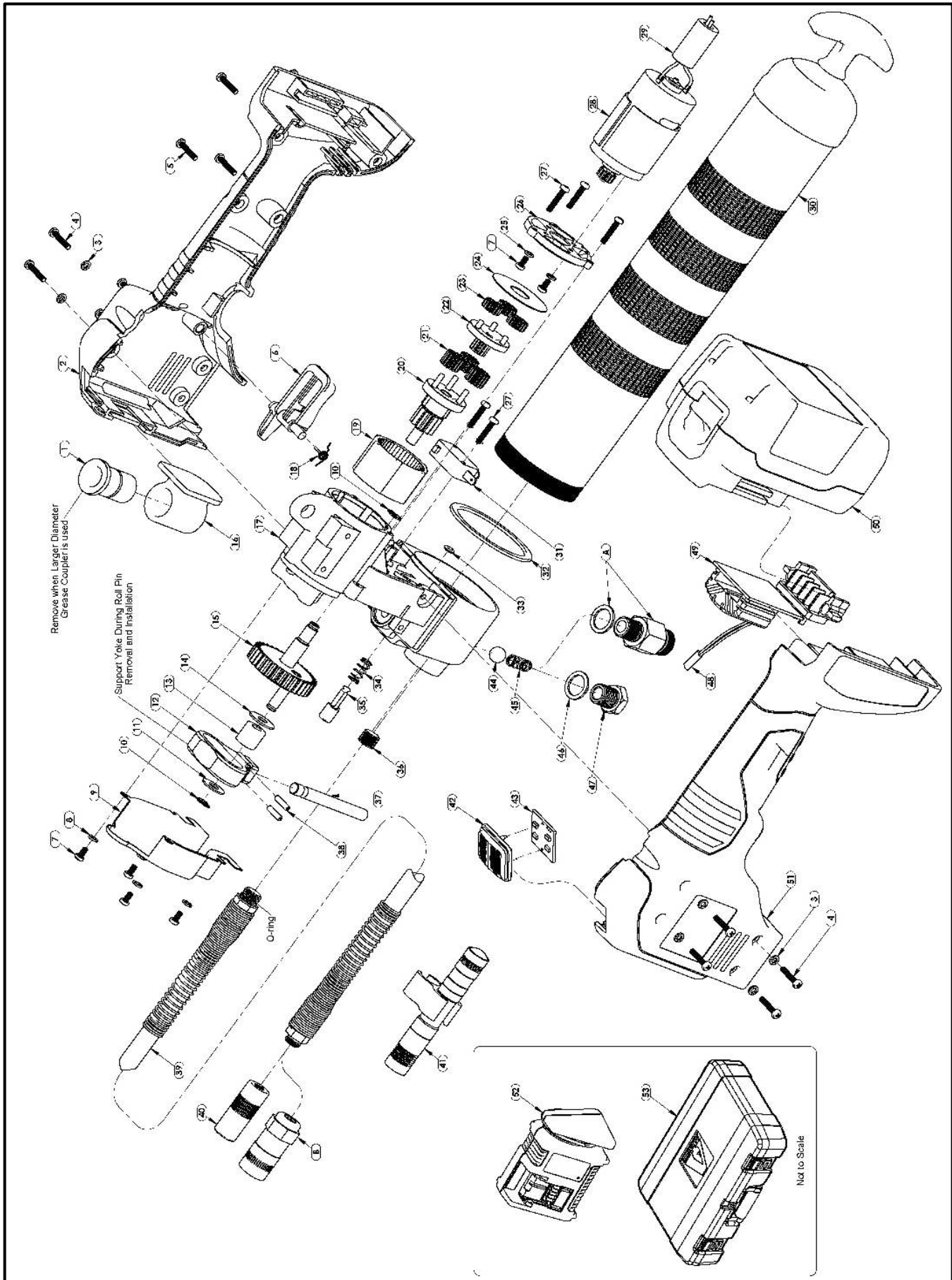


Figure 2 Cordless Grease Gun Series 595 - Exploded View

Item No.	Part No.	Description	Qty	Repair Kits				Notes
				393795-6 Ball Check	393757 Bleed Valve	393795-20 Electronic Circuitry*	393795-12 Head*	
1		Insert, Coupler (Rubber)	1					
2		Housing, Right	1					
3		Washer, Lock	10					
4		Screw, Machine	8					
5		Screw, Tapping	4					
6		Trigger	2					
7		Screw, M3 x 6	6					
8		Washer, M3, Lock	4					
9		Cover, Head	1					
10		Ring, Retaining	2				•	
11		Washer, 0.24" ID x 0.67" OD	1					
12		Yoke	1					
13		Bearing, Roller	1					
14		Washer, 0.24" ID x 0.59" OD	1					
15		Gear Assembly, Output	1					
16		Holster	1					
17		Head & Bearing Assembly	1				•	
18		Trigger Spring	1					
19		Gear, Internal	1					
20		Gear, Output Pinion	1					
21		Gear, Planet (Second Stage)	3					
22		Gear, Sun (Second Stage)	1					
23		Gear, Planet (First Stage)	3					
24		Washer	1					
25		Washer, Lock	2					
26		Mount, Motor	1					
27		Screw, M3 x 16	5					
28	393795-19*	Motor Assembly (with Sun Gear)	1					
29		Magnet, Ring	1					
30	339820	Cylinder Assembly, Grease	1					
31		Switch	1			•		
32	336523	Gasket	1					
33		O-Ring	1		•			
34		Spring, Bleed Valve	1		•			
35		Valve, Bleed	1		•			
36		Plug	1					
37		Piston	1				•	
38		Pin, Roll	2				•	
39	340067	Hose Assembly, Grease	1					Never Substitute
40	308730	Coupler, Grease	1					
41	343170	Flashlight with Clip	1					
42		Lens, LED	1					
43		Circuit Board, LED	1			•		
44		Ball, Check, 3/8" Diameter	1	•				
45		Spring, Check	1	•				
46		Gasket (Copper)	1	•			•	
47		Plug, Check	1	•				
48		Protector, Thermal	1			•		
49		Circuit Board and Battery Connector	1			•		
50	343151	Battery Pack, 18V	1					Models 595-A, -C
			2					Models 595-B, -D
51		Housing, Left	1					
52	343152	Charger, Battery (120 Vac / 60 Hz)	1					Models 595-A, -B
	343153	Charger, Battery (230 Vac / 50 Hz)	1					Models 595-C, -D
53		Case, Carrying	1					
<b>Optional</b>								
A	340338	Relief Valve with Gasket						
B	6304-B	Coupler, Grease						

**Legend:**

Part numbers left blank are not available separately.

\*Replacement of these items by other than an authorized Alemite Service Center voids the warranty.

General Safety Rules

---

**WARNING**

Read all safety warnings and all instructions. Failure to follow the warnings and instructions may result in electric shock, fire and/or serious injury. Save all warnings and instructions for future reference. The term “power tool” in the warnings refers to your mains-operated (corded) power tool or battery operated (cordless) power tool.

**Work Area Safety**

- Keep work area clean and well lit. Cluttered and dark areas invite accidents.
- Do not operate power tools in explosive atmospheres, such as in the presence of flammable liquids, gases or dust. Power tools create sparks which may ignite the dust or fumes.
- Keep children and bystanders away while operating a power tool. Distractions can cause you to lose control.

**Electrical Safety**

- Power tool plugs must match the outlet. Never modify the plug in any way. Do not use any adapter plugs with earthed (grounded) power tools. Unmodified plugs and matching outlets will reduce risk of electric shock.
- Avoid body contact with earthed or grounded surfaces such as pipes, radiators, ranges and refrigerators. There is an increased risk of electric shock if your body is earthed or grounded.
- Do not expose power tools to rain or wet conditions. Water entering a power tool will increase the risk of electric shock.
- Do not abuse the cord. Never use the cord for carrying, pulling or unplugging the power tool. Keep cord away from heat, oil, sharp edges or moving parts. Damaged or entangled cords increase the risk of electric shock.
- When operating a power tool outdoors, use an extension cord suitable for outdoor use. Use of a cord suitable for outdoor use reduces the risk of electric shock.
- If operating a power tool in a damp location is unavoidable, use a residual current device (RCD) protected supply. Use of an RCD reduces the risk of electric shock.

**Personal Safety**

- Stay alert, watch what you are doing and use common sense when operating a power tool. Do not use a power tool while you are tired or under the influence of drugs, alcohol or medication. A moment of inattention while operating power tools may result in serious personal injury.
  - Use personal protective equipment. Always wear eye protection. Safety equipment such as dust mask, non-skid safety shoes, hard hat, or hearing protection used for appropriate conditions will reduce personal injuries.
  - Prevent unintentional starting. Ensure the switch is in the off-position before connecting to power source and/or battery pack, picking up or carrying the tool. Carrying power tools with your finger on the switch or energising power tools that have the switch on invites accidents.
  - Remove any adjusting key or wrench before turning the power tool on. A wrench or a key left attached to a rotating part of the power tool may result in personal injury.
  - Do not overreach. Keep proper footing and balance at all times. This enables better control of the power tool in unexpected situations.
  - Dress properly. Do not wear loose clothing or jewelry. Keep your hair, clothing and gloves away from moving parts. Loose clothes, jewelry or long hair can be caught in moving parts.
  - If devices are provided for the connection of dust extraction and collection facilities, ensure these are connected and properly used. Use of these devices can reduce dust related hazards.
-

## General Safety Rules (Continued)

**WARNING****Power Tool Use and Care**

- Do not force the power tool. Use the correct power tool for your application. The correct power tool will do the job better and safer at the rate for which it was designed.
- Do not use the power tool if the switch does not turn it on and off. Any power tool that can not be controlled with the switch is dangerous and must be repaired.
- Disconnect the plug from the power source before making any adjustments, changing accessories, or storing power tools. Such preventive safety measures reduce the risk of starting the power tool accidentally.
- Store idle power tools out of the reach of children and do not allow persons unfamiliar with the power tool or these instructions to operate the power tool. Power tools are dangerous in the hands of untrained users.
- Maintain power tools. Check for misalignment or binding of moving parts, breakage of parts and any other condition that may affect the power tools operation. If damaged, have the power tool repaired before use. Many accidents are caused by poorly maintained power tools.
- Keep cutting tools sharp and clean. Properly maintained cutting tools with sharp cutting edges are less likely to bind and are easier to control.
- Use the power tool, accessories and tool bits etc., in accordance with these instructions and in the manner intended for the particular type of power tool, taking into account the working conditions and the work to be performed. Use of the power tool for operations different from intended could result in a hazardous situation.

**Battery Tool Use and Care**

- Recharge only with the charger specified by the manufacturer. A charger that is suitable for one type of battery pack may create a risk of fire when used with another battery pack.
- Use power tools only with specifically designated battery packs. Use of any other battery packs may create a risk of injury and fire.
- When battery pack is not in use, keep it away from other metal objects like paper clips, coins, keys, nails, screws, or other small metal objects that can make a connection from one terminal to another. Shorting the battery terminals together may cause burns or a fire.
- Under abusive conditions, liquid may be ejected from the battery; avoid contact. If contact accidentally occurs, flush with water. If liquid contacts eyes, additionally seek medical help. Liquid ejected from the battery may cause irritation or burns.

**Service**

- Have your power tool serviced by a qualified repair person using only identical replacement parts. This will ensure that the safety of the power tool is maintained.

## Specific Safety Rules



### WARNING

The gun can develop high pressure up to 8,000 psi (552 bar). Rupture of components can inject grease into skin and eyes, causing serious injury and possible amputation. If injured, seek immediate medical attention.

Do not operate without proper safety protection, gloves, and goggles. Hold hose at spring guard only. Do not use if hose is damaged or worn. Inspect hose before each use. Use only Alemite 340067 Grease Whip Hose.

This gun uses lubricants, that may be flammable and poisonous if ingested. Do not use gun near open flame or other fire hazards. Read all warnings on lubricants before using this gun. Use ear protection to reduce the risk of induced hearing loss.

Disconnect battery pack from gun before changing accessories, storing gun or unscrewing grease cylinder from the gun.

Ensure the switch is in the off position before inserting battery pack. Inserting the battery pack into power tools that have the switch on invites accidents.

Never attempt to open the battery pack for any reason.

Do not expose the battery pack to water.

Do not store the battery pack in locations where the temperature may exceed 104 °F (40 °C).

Charge the battery pack only at ambient temperatures between 40 °F (4 °C) and 104 °F (40 °C).



**Warning!** To reduce the risk of injury, the user must read the instruction manual.



Separate collection. This product must not be disposed of with normal household waste.

## Loading and Priming the Gun

**NOTE:** Refer to **Figure 2** for component identification on the following procedures.

### Cartridge Loading

1. Unscrew Grease Cylinder (30) from the gun.
2. Pull the follower rod and engage the groove in the follower rod with the slot in the Grease Cylinder cap.
3. Remove the plastic cap from the cartridge.

4. Apply a film of grease to the exposed inside surface of the cartridge.

**NOTE:** This is only necessary for a virgin gun.

5. Insert the cartridge into the Grease Cylinder.
  - Remove the tabbed seal from the cartridge.
6. Screw the Grease Cylinder onto the gun.
7. Disengage the follower rod from the slot in the Grease Cylinder cap.
  - Push the follower rod into the Grease Cylinder.

### Suction Loading

1. Unscrew Grease Cylinder (30) from gun.
2. Insert the head of the Grease Cylinder below the surface of the grease.
3. Slowly pull the follower rod outward from the Grease Cylinder cap until the groove is visible.
4. Engage the groove in the follower rod with the slot in the Grease Cylinder's cap.
5. Screw the Grease Cylinder onto the gun.
6. Disengage the follower rod from the slot in the Grease Cylinder cap.
  - Push the follower rod into the Grease Cylinder.

### Loader Pump



### WARNING

The gun can be equipped with an optional low-pressure Loader Fitting. Do not substitute with a high-pressure grease fitting. Personal injury can occur due to excessive pressure.

**The use of a grease fitting will void the warranty.**

### CAUTION

**The Loader Fitting on the gun must mate with the loader coupler. The pump may not operate if the components are not compatible.**

1. Pull the follower rod and engage the follower by rotating the rod.
2. Seat the Loader Fitting into the loader coupler.
  - Push down to hold the coupler valve open.
3. Operate the pump and view the movement of the follower rod.

4. Discontinue pump operation once the groove on the follower rod is visible.
5. Disengage follower rod from follower and push into the Grease Cylinder.

## Priming the Gun

In most cases the gun will prime simply by operating the Trigger several times.

Should grease fail to appear, air must be bled.

### Force Prime

This process manually assists air within the gun to be bled at the Bleed Valve.

1. Pull the follower rod and engage the follower by rotating the rod.
2. Depress Bleed Valve (35) and at the same time push on the follower rod.

Once the air is eliminated, operate the gun several times.

Once grease appears, disengage the follower rod from the follower and push into the Grease Cylinder.

## Gun Operation

Battery Pack (50) is intentionally shipped with a low charge.

Charge Battery Pack prior to use.

- Refer to the following section for details.

The battery needs to be charged before first use and whenever it fails to produce sufficient power on jobs that were easily done before. The battery may become warm while charging; this is normal and does not indicate a problem.

### Low Battery Indicator



The low battery indicator illuminates when there is sufficient battery charge to dispense approximately three cartridges of grease.

### Stall Indicator



The stall indicator illuminates when a stall condition causes the thermal protector to open. Release the trigger to turn off the stall indicator. The thermal protector resets automatically.

---

## CAUTION

**Air pockets in the grease can cause the gun to lose prime. Check for prime after each refill and before lubrication.**

**The gun is equipped with a thermal protector to prevent the motor from overheating. When a blocked bearing, line, or grease fitting causes the gun to stall, the thermal protector will open.**

**For maximum motor life, avoid operating at stall**

---

### Check Valve Contamination

Should the gun fail, the outlet check may be held open. Remove Plug (47), clean Ball (44), and the Ball seat of Head (17).

## Battery Pack and Charger Safety Rules

This manual contains important safety and operating instructions for Battery Pack part number 343151 and Battery Chargers 343152 and 343153.



## WARNING

**Before using the Battery Charger read all instructions and cautionary markings on Battery Charger (52), Battery Pack (50), and products using the Battery Pack.**

**To reduce the risk of injury, charge only Lithium-ion type rechargeable batteries. Other types of batteries may burst causing injury.**

**An extension cord should not be used unless absolutely necessary. Use of an improper extension cord could result in a risk of fire and electric shock. If an extension cord must be used, make sure it is 18-gauge. Check to ensure that the pins on the plug of the extension cord are the same number, size, and shape as those of the plug on the Charger. Make sure that the extension cord is properly wired and in good electrical condition.**

**Do not incinerate the Battery Pack, even if it is severely damaged or completely worn out. The Battery Pack may explode in fire.**

---



---

**CAUTION**

Do not expose the Charger to rain, snow, or frost. To reduce the risk of damage to electric plug and cord, pull by the plug rather than the cord when disconnecting the Charger.

Make sure the cord is located so that it will not be stepped on, tripped over, or otherwise subjected to damage or stress.

Do not operate the Charger with damaged cord or plug. Replace immediately.

Do not operate the Charger if it has received a sharp blow, been dropped, or otherwise damaged in any way.

Do not disassemble the Charger.

Do not charge the Battery when the temperature is below 40° F (4°C) or above 104° F (40°C).

The Charger is designed to operate on standard household electrical power. Do not attempt to use it on any other voltage.

Consecutive charging may cause overheating. If you need to recharge the Battery consecutively, wait for about 15 minutes to allow the Charger to cool.

Do not insert foreign material into the hole for the Battery in the Charger stand.

Do not disassemble the Battery.

Do not Store the gun and Battery assembly in locations where the temperature may reach or exceed 104°F (40°C).

Do not short-circuit the Battery.

Do not place the Charger in an area of extreme heat or cold. It works best at normal room temperature.

**Battery Charger Operation**

Charge the Battery only with the Charger provided. Make sure power circuit voltage is same as that shown on the charger specifications plate. Press down to ensure the battery properly engages with the charger's contacts.

**Function of Red and Green Lights**

- Red Light Flash  
When the charger is powered on, the Red light will flash once.
- Green Light Flashing ■ ■ ■  
Charging
- Green Light On ■■■■■  
Battery fully charged
- Red Light Flashing at 4HZ ■■■■■  
Battery will not charge
- Red Light Flashing at 1HZ/5HZ ■■■■■  
Battery too hot. Charging will restore when the battery pack cools down to 104° F (40° C).  
Battery overheating could be attributed to:  
A. Long continuous running  
B. Hot ambient temperature  
C. One or more cells are damaged

One hour of charge time is required to fully charge the battery.

The Battery will become slightly warm to the touch while charging. This is normal and does not indicate a problem.

**Changes Since Last Printing**

Add Dutch Translation

**EC DECLARATION OF CONFORMITY**

**ALEMITE, LLC**  
167 Roweland Drive  
Johnson City, Tennessee, USA 37601



Declares that under the sole responsibility for supply of the machinery described as:

**TYPE/SERIES:** Cordless Grease Gun

**MODEL:** 595-A, 595-B, 595-C, 595-D

These products are in compliance with the following European Community Directives: 2006/42/EC

The following standards were used to verify compliance with the directives:

EN60745, EN60335-1, EN60335-2

Approved by: \_\_\_\_\_

Director of Engineering: Robert Hoefler

Date: December 14, 2011





# Guía de servicio

## Modelo de la serie 595

**595-A**  
**595-B**  
**595-C**  
**595-D**

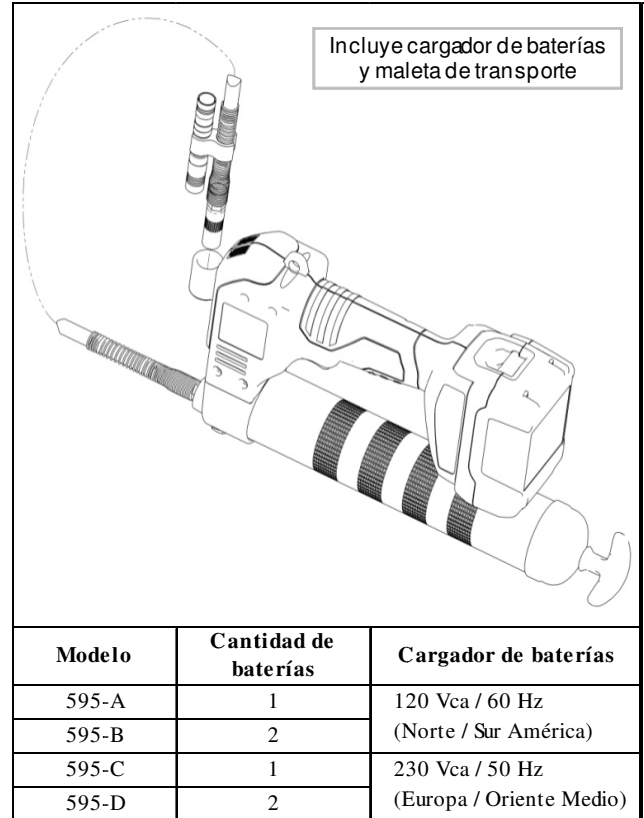
### Pistola engrasadora inalámbrica

#### Descripción

Este modelo de pistola engrasadora está diseñado para dispensar grasas a base de petróleo (hasta NLGI 2) para aplicaciones de lubricación generales. Se incluye una manguera extensible de alta presión de 36 pulgadas (0,91 metros) de largo, un acoplador de engrase para servicio pesado, un cargador rápido de 1- hora y una maleta de transporte moldeada. Las pistolas están equipadas con indicadores luminosos de atasco y batería baja y linterna LED (1 batería AAA).

Las pistolas usan un motor de 18 V con tres etapas de demultiplicación de engranajes. Un mecanismo de manivela y horquilla activa una bomba de pistón alternativa. El motor se alimenta con un cartucho de baterías de iones de litio recargables de 18 voltios / 3000 mAh.

Cada modelo de pistola engrasadora está diseñado para 3 tipos de carga: de cartucho, succión y bomba cargadora (requiere un accesorio de cargador opcional 322610). Las pistolas están cebadas por resorte y tienen una válvula de purga de aire para ayudar al cebado.



**Figura 1** Pistola engrasadora inalámbrica Serie 595

#### Accesorios opcionales

Correa de hombro	Cargador móvil para batería (12 Vdc to 18 Vdc)	Accesorio de cargador
339812	343154	322610

#### Especificaciones

Presión máxima		Tasa de flujo		Capacidad de entrega con carga completa	Cilindrada			Conjunto de la manguera				Peso (Vacío)	
					Masa		Tamaño del cartucho	Capacidad de presión		Longitud			
Bares	psi	Gramos / minutos	Onzas / minutos	Cartuchos	Gramos	Onzas	Onzas	Bares	psi	Metros	Pulgadas	Kg	Libras
552	8000	170	6	27 <sup>1</sup>	454	16	14	690	10 000	0,91	36	3,3	7,2

Presión acústica ( $L_{pA}$ ) 72,3 dB(A), incertidumbre (K) 3 dB(A)

Presión acústica ( $L_{WA}$ ) 83,3 dB(A), incertidumbre (K) dB(A)

Valor de emisión de vibración ( $a_h$ ) 0,6 m/s<sup>2</sup>, incertidumbre (K) 1,5 m/s<sup>2</sup>

<sup>1</sup> Grasa de litio NLGI 2 EP a temperatura de 75°F (24°C) que se dispensa a través del conjunto de la manguera incluido con acoplador de engrase y contra presión agregada de 150 psi (10 bar) (simula un accesorio de engrase con válvula de retención de bola).

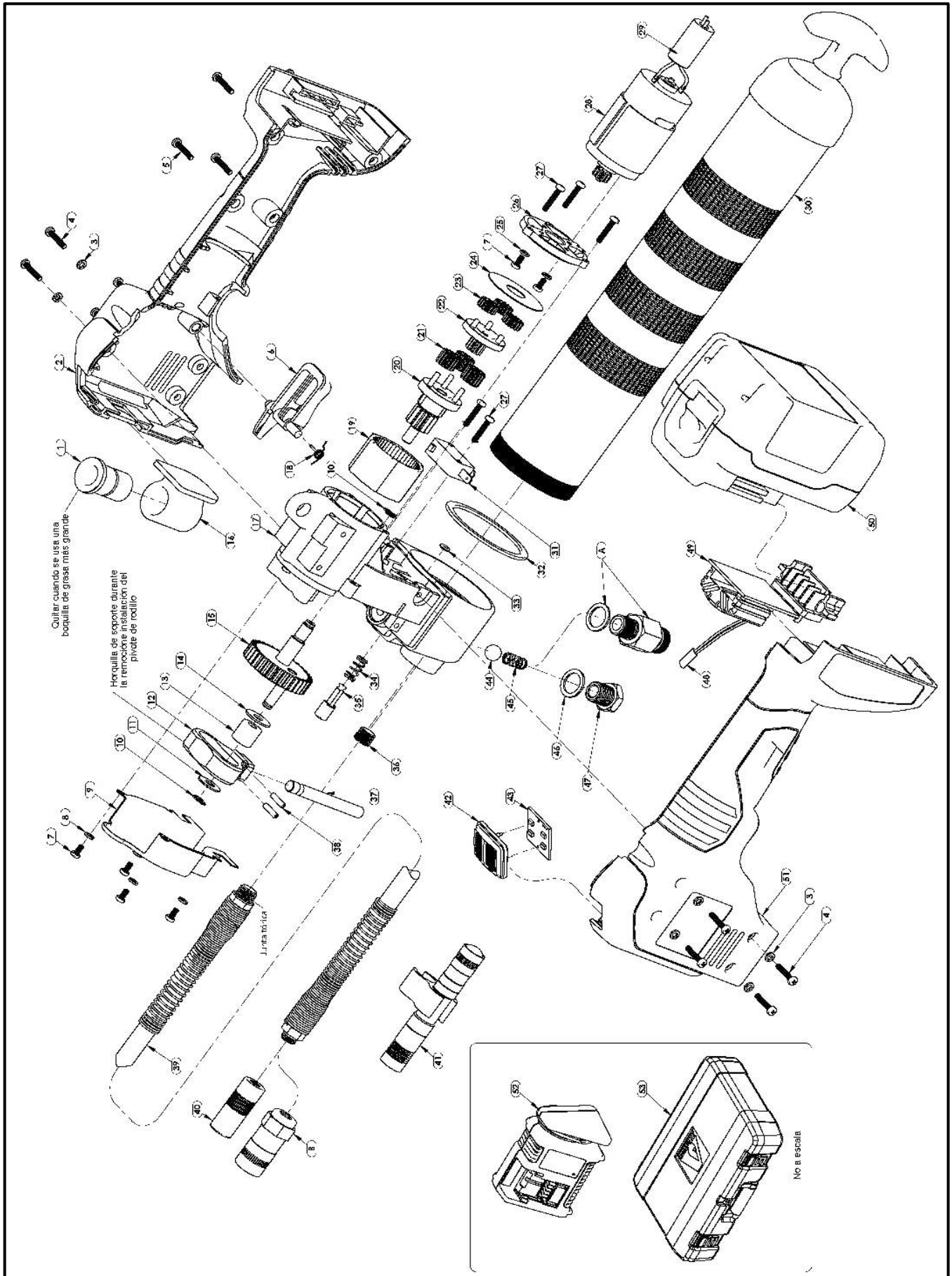


Figura 2 Pistola engrasadora inalámbrica Serie 595 - Vista despiezada

Nº de ítem	Nº de pieza	Descripción	Cant.	Equipos de reparación				Notas
				393795-6 Válvula de retención	393757 Válvula de purga	393795-20 Sistema de circuitos electrónicos*	393795-12 Cabeza*	
1		Relleno, Acoplador (Caucho)	1					
2		Caja, derecha	1					
3		Arandela de seguridad	10					
4		Tornillo	8					
5		Tornillo	4					
6		Gatillo	2					
7		Tornillo, M3 x 6	6					
8		Arandela de seguridad	4					
9		Cubierta del cabezal	1					
10		Anillo de retención	2				•	
11		Arandela, 6.2 mm DI x 17 mm DE	1					
12		Horquilla	1					
13		Cojinete de rodillos	1					
14		Arandela, 6.2 mm DI x 15 mm DE	1					
15		Salida del conjunto de engranajes	1					
16		Funda	1					
17		Ensamble de cojinetes y culata	1				•	
18		Resorte del gatillo	1					
19		Engranaje interno	1					
20		Engranaje del piñón de salida	1					
21		Rueda satélite (segunda etapa)	3					
22		Engranaje planetario (segunda etapa)	1					
23		Rueda satélite (primera etapa)	3					
24		Arandela	1					
25		Arandela de seguridad	2					
26		Anclaje del motor	1					
27		Tornillo M3 x 16	5					
28	393795-19*	Conjunto del motor (con engranaje con piñón)	1					
29		Imán anillo	1					
30	339820	Conjunto del cilindro de grasa	1					
31		Interruptor	1			•		
32	336523	Empaquetadura	1					
33		Junta tórica	1		•			
34		Resorte de la válvula de purga	1		•			
35		Válvula de purga	1		•			
36		Tapón	1					
37		Pistón	1				•	
38		Pivote de rodillo	2				•	
39	340067	Conjunto de la manguera engrasadora	1					Nunca sustituir
40	308730	Acoplador de engrase	1					
41	343170	Linterna (con sujetador)	1					
42		Lentes, LED	1					
43		Tablero de circuitos, LED	1			•		
44		Bola de tope de 3/8 pulg. de diámetro	1	•				
45		Resorte de reacción	1	•				
46		Empaquetadura (cobre)	1	•			•	
47		Tapón de tope	1	•				
48		Protector térmico	1			•		
49		Tablero de circuitos (con conector de batería)	1			•		
50	343151	Batería de 18 V	1					Modelos 595-A, -C
			2					Modelos 595-B, -D
51		Caja, izquierda	1					
52	343152	Cargador de batería (120 Vca / 60 Hz)	1					Modelos 595-A, -B
	343153	Cargador de batería (230 Vca / 50 Hz)	1					Modelos 595-C, -D
53		Maleta de transporte	1					
<b>Opcional</b>								
A	340338	Válvula de alivio (con empaque)						
B	6304-B	Acoplador de engrase						

**Leyenda:**

Los números de pieza que se han dejado en blanco no están disponibles por separado.

\*El remplazo de estos artículos realizado por otra persona que no sea el centro de servicio de Alemite autorizado anula la garantía.



## ADVERTENCIA

Lea todas las advertencias de seguridad y todas las instrucciones. No seguir las advertencias e instrucciones puede resultar en choque eléctrico, incendio o lesión grave. Guarde todas las advertencias e instrucciones para referencia futura. El término “herramienta eléctrica” en las advertencias se refiere a su herramienta eléctrica (con cable) con conexión a red o a herramienta eléctrica (inalámbrica) que funciona con baterías.

### Seguridad en el área de trabajo

- Mantenga el área de trabajo limpia y bien iluminada, ya que las áreas desordenadas y oscuras facilitan los accidentes.
- No opere las herramientas mecánicas en ambientes explosivos, como en presencia de líquidos, gases o polvo inflamables, ya que este tipo de herramientas produce chispas que pueden inflamar el polvo o los gases.
- Aleje a los niños y transeúntes mientras opera una herramienta mecánica, ya que las distracciones pueden hacerle perder el control de ésta.

### Seguridad eléctrica

- Los enchufes de las herramientas mecánicas deben ser los adecuadas para el tomacorriente. Nunca modifique el enchufe ni use cualquier adaptador de enchufe con las herramientas mecánicas con conexión a tierra. El uso de enchufes que no se han modificado y de los tomacorrientes los tomacorrientes correspondientes reducirán el riesgo de choques eléctricos.
- Evite el contacto corporal con superficies conectadas a tierra, como tuberías, radiadores, estufas y refrigeradores, debido a que existe un mayor riesgo de choque eléctrico si su cuerpo se conecta a tierra.
- No exponga las herramientas mecánicas a la lluvia o la humedad, ya que el agua que se filtra en su interior aumenta el riesgo de choque eléctrico.
- No maltrate el cable ni tampoco lo use para transportar, desenchufar o tirar de la herramienta mecánica. Aleje el cable del calor, aceite, bordes filosos o piezas móviles. Los cables dañados o enredados aumentan el riesgo de choque eléctrico.
- Cuando opere una herramienta mecánica en el exterior, utilice un cable de extensión apropiado para exteriores a fin de reducir el riesgo de choque eléctrico.
- Si el funcionamiento de una herramienta eléctrica en una ubicación húmeda es inevitable, utilice una fuente protegida por dispositivo de corriente residual (RCD). El uso de un dispositivo de corriente residual reduce el riesgo de descarga eléctrica.

### Seguridad personal

- Manténgase alerta, preste atención a lo que hace y use el sentido común cuando opere una herramienta mecánica. No utilice ninguna herramienta mecánica si está cansado o bajo los efectos de drogas, alcohol o medicamentos. Un momento de distracción mientras opera herramientas mecánicas puede producir lesiones personales graves.
- Utilice el equipo de protección personal y siempre use protección ocular. Los equipo de protección personal, como máscaras antipolvo, calzado de seguridad antideslizante, cascos de protección o protección auditiva que se usan en condiciones apropiadas, reducirán las lesiones personales.
- Evite que la herramienta se encienda accidentalmente. Asegúrese de que el interruptor se encuentre en la posición de apagado antes de enchufar la herramienta, levantarla o desplazarla. El transporte de herramientas mecánicas con el dedo en el gatillo o enchufarlas con el gatillo en la posición de encendido puede provocar accidentes.
- Quite las cuñas o llaves de tuercas antes de encender la herramienta mecánica, ya que si se dejan en una pieza giratoria de la herramienta, se pueden producir lesiones personales.
- No se estire demasiado y mantenga el equilibrio en todo momento, ya que esto permite un mejor control de la herramienta mecánica en situaciones inesperadas.
- Vístase apropiadamente. No use ropa suelta ni joyas. Aleje el pelo, ropa y los guantes de las piezas móviles, ya que se pueden enganchar.
- Si se suministran dispositivos para la conexión de instalaciones de extracción y de recolección de polvo, asegúrese de que éstos estén conectados y se usen apropiadamente. El uso de estos dispositivos puede reducir los riesgos relacionados con el polvo.



## ADVERTENCIA

### Uso y cuidado de la herramienta mecánica

- **No fuerce la herramienta mecánica. Use la herramienta mecánica indicada para su aplicación, ya que la herramienta mecánica correcta realizará mejor y con mayor seguridad el trabajo a la velocidad para la que fue diseñada.**
- **No use la herramienta mecánica si el interruptor no la enciende y apaga. Toda herramienta mecánica que no se puede controlar mediante el interruptor es peligrosa y se debe reparar.**
- **Desconecte el enchufe de la fuente de alimentación antes de realizar cualquier ajuste, cambio de accesorios o antes de guardar las herramientas mecánicas. Estas medidas preventivas de seguridad reducen el riesgo de que la herramienta mecánica se encienda accidentalmente.**
- **Guarde las herramientas mecánicas que no use fuera del alcance de los niños y no permita que personas que desconocen el funcionamiento de la herramienta o estas instrucciones la operen. Las herramientas mecánicas son peligrosas en manos de usuarios inexpertos.**
- **Realice mantenimiento a las herramientas mecánicas. Verifique si existe desalineación o piezas móviles atascadas, piezas rotas y cualquier otra condición que pueda afectar el funcionamiento de las herramientas mecánicas. Si la herramienta mecánica presenta daños, haga que la reparen antes de usarla, ya que muchos accidentes se producen debido a un mantenimiento deficiente.**
- **Mantenga las herramientas de corte afiladas y limpias. Las herramientas de corte con bordes afilados que se mantienen apropiadamente tienen menos probabilidad de atascarse y son más fáciles de controlar.**
- **Use las herramientas mecánicas, sus accesorios, brocas, etc. en conformidad con estas instrucciones y de la forma en que fueron diseñadas para el tipo particular de herramienta mecánica, teniendo en cuenta las condiciones de trabajo y el trabajo que se realizará. El uso de la herramienta mecánica para una operación diferente de aquella para la cual fue diseñada podría provocar situaciones peligrosas.**

### Uso y cuidado de la herramienta de baterías

- **Recargue las baterías solo con el cargador especificado por el fabricante. Un cargador que es apropiado para un tipo de paquete de baterías puede producir un riesgo de incendio cuando se usa con otro paquete.**
- **Use las herramientas mecánicas solo con los paquetes de baterías indicados específicamente, ya que el uso de cualquier otro tipo de paquete puede producir riesgo de lesiones y de incendio.**
- **Cuando no use el paquete de baterías, aléjelo de otros objetos metálicos como clips, monedas, llaves, clavos, tornillos u otros objetos metálicos pequeños que puedan hacer conexión de un borne a otro, ya que el cortocircuito de los bornes de la batería puede producir quemaduras o incendio.**

### Servicio

- **El servicio de mantenimiento de la herramienta mecánica solo debe encargarse a un técnico de reparación cualificado que use solo repuestos idénticos. Esto garantiza que se mantenga la seguridad de la herramienta mecánica.**
- 
-

## Normas de seguridad específicas

**ADVERTENCIA**

La pistola puede desarrollar alta presión, hasta 552 barios (8000 psi). La ruptura de los componentes puede ocasionar la inyección de grasa en la piel y los ojos, causando lesiones graves, inclusive la amputación. En el caso de que resulte herido, busque atención médica de inmediato.

No opere sin los guantes y anteojos de seguridad adecuados. Sostenga la manguera sólo por la protección del resorte. No use si la manguera se encuentra dañada o gastada. Inspeccione la manguera antes de cada uso. Use sólo la manguera engrasadora extensible Alemite 340067.

Esta pistola usa lubricantes, los que pueden ser inflamables y venenosos si se ingieren. No use la pistola cerca de llamas abiertas u otros riesgos de incendio. Lea todas las advertencias sobre lubricantes antes de usar esta pistola.

Protéjase los sus oídos para evitar riesgo de pérdida de audición.

Desconecte la batería de la pistola antes de cambiarle los accesorios o de guardar la pistola.

Si se usa incorrectamente, es posible que el líquido se expela de la batería; evite el contacto. Si esto sucede accidentalmente, lávese con agua. Si el líquido entra en contacto con los ojos, busque asistencia médica. El líquido expelido de la batería puede provocar irritación o quemaduras.

Desconecte el grupo de baterías de la pistola antes de cambiar accesorios, almacenar la pistola o retirar el cilindro de grasa de la pistola.

Asegúrese de que el interruptor se encuentre en la posición de apagado antes de colocar el paquete de baterías. La instalación del paquete de baterías en herramientas mecánicas que tienen el interruptor en la posición de encendido puede provocar accidentes.

No exponga el paquete de baterías al agua.

No almacene el paquete de baterías en ubicaciones en donde la temperatura puede exceder los 40°C.

Cargue el paquete de baterías solamente a temperaturas ambiente entre 4°C y 40°C.



¡Atención! Para reducir el riesgo de lesiones, el usuario debe leer el manual de instrucciones.



Separación de desechos. Este producto no debe desecharse con la basura doméstica normal.

**Carga y cebado de la pistola engrasadora**

**NOTA:** consulte la **figura 2** para la identificación de los componentes de los siguientes procedimientos:

**Carga del cartucho**

1. Desatornille el cilindro de grasa (30) de la pistola.
2. Tire la varilla del seguidor y enganche la ranura de la varilla con la muesca de la tapa del cilindro de grasa.

3. Retire la tapa plástica del cartucho.
4. Aplique una película de grasa a la superficie interior expuesta del cartucho.

**NOTA:** esto sólo es necesario en una pistola engrasadora virgen.

5. Inserte el cartucho en el cilindro de grasa.
  - Retire el sello con lengüeta del cartucho.
6. Atornille el cilindro de grasa a la pistola.
7. Desenganche la varilla del seguidor desde la muesca de la tapa del cilindro de grasa.
  - Empuje la varilla del seguidor dentro del cilindro de grasa.

**Carga por succión**

1. Desatornille el cilindro de grasa (30) de la pistola.
2. Inserte el cabezal del cilindro de grasa bajo la superficie de la grasa.
3. Extraiga lentamente la varilla del seguidor desde la tapa del cilindro de grasa hasta que se vea la ranura.
4. Enganche la ranura de la varilla del seguidor con la muesca de la tapa del cilindro de grasa.
5. Atornille el cilindro de grasa a la pistola.
6. Desenganche la varilla del seguidor desde la muesca de la tapa del cilindro de grasa.
  - Empuje la varilla del seguidor dentro del cilindro de grasa.

**Bomba cargadora****ADVERTENCIA**

La pistola engrasadora puede ser equipada con un cargador opcional de baja presión (322610). No lo sustituya por un cargador de engrase de alta presión. Lesiones corporales pueden ocurrir.

El uso de un accesorio de engrase anulará la garantía.

**PRECAUCIÓN**

Asegúrese de que el cargador y acoplador de y la bomba de transferencia son compatibles.

1. Tire la varilla del seguidor y enganche el seguidor haciendo girar la varilla.
2. Asiente el accesorio del cargador en el acoplador del cargador.
  - Empuje hacia abajo para mantener abierta la válvula del acoplador.
3. Haga funcionar la bomba y vea el movimiento de la varilla del seguidor.
4. Una vez que se vea la ranura de la varilla del seguidor, interrumpa el funcionamiento de la bomba.
5. Desenganche la varilla del seguidor y empújela dentro del cilindro de grasa.

## Cebado de la pistola

En la mayoría de los casos, la pistola se ceba simplemente le tirando el gatillo varias veces operar el gatillo varias veces.

Si no aparece grasa, se debe purgar el aire.

### Cebado forzado

Este proceso ayuda manualmente a purgar el aire que está dentro de la pistola en la válvula de purga.

1. Tire la varilla del seguidor y enganche el seguidor haciendo girar la varilla.
2. Oprima la válvula de purga (35) y empuje al mismo tiempo la varilla del seguidor.

Una vez que elimine el aire, opere varias veces la pistola. Una vez que aparezca grasa, desenganche la varilla del seguidor y empújela dentro del cilindro de grasa.

## Funcionamiento de la pistola

La batería (50) se entrega intencionalmente con carga baja.

Cargue el cartucho de baterías antes de usarlo.

- Consulte la siguiente sección para obtener detalles.

Debe cargar la batería antes del primer uso y siempre que falle al producir suficiente energía en los trabajos que antes realizaba con facilidad. La batería se puede calentar mientras se carga; esto es normal y no es una indicación de ningún problema.

### Indicador de batería baja



El indicador de batería baja se enciende cuando hay suficiente carga de la batería para dispensar aproximadamente tres cartuchos de grasa.

### Indicador de atasco



El indicador de atasco se enciende cuando una condición de atasco ocasiona que el protector térmico se abra. Suelte el gatillo para apagar el indicador de atasco. El protector término se restablece automáticamente.

## PRECAUCIÓN

**Las bolsas de aire que aparezcan en la grasa pueden hacer que la pistola pierda cebado. Revise el cebado después de cada relleno y antes de la lubricación.**

**La pistola esta equipada con un protector térmico el cual previene que el motor se; grasera está bloqueado recaliente. Cuando un rodamiento, una línea o una grasera esta bloqueada, la pistola también se bloquea, entonces el protector térmico se abre. Para una máxima vida del motor, evite operar cuando la pistola esta bloqueada.**

## Contaminación de la válvula de chequeo

Si la engrasadora falla, la abertura de salida de grasa se puede mantener abierta. Remueva el tapón (47), limpie la bola (44) y el asiento de la bola en la cabeza (17).

## Normas de seguridad del paquete de baterías y del cargador

Este manual contiene instrucciones importantes de seguridad y funcionamiento de la baterías con número de pieza 343151 y los cargadores de batería 343152 y 343153.



### ADVERTENCIA

**Antes de usar el cargador de batería lea todas las instrucciones y anotaciones de advertencia del cargador de batería (52), el paquete de baterías (50) y de los productos que usan el grupo de baterías.**

**Para disminuir el riesgo de lesiones, cargue solamente baterías recargables de tipo iones de litio. Es posible que otros tipos de baterías se revienten y ocasionen lesiones.**

**No se debe usar un cable de extensión a menos que sea absolutamente necesario. El uso de un cable de extensión inapropiado puede ocasionar un riesgo de incendio y choque eléctrico. Si es necesario usar un cable de extensión, asegúrese que sea de calibre 18. Revise para asegurarse de que las clavijas del enchufe del cable de extensión sean del mismo número, tamaño y forma que los del enchufe del cargador. Asegúrese de que el cable de extensión esté conectado adecuadamente y en buen estado.**

**No incinere el paquete de baterías, incluso si tiene daños graves o está completamente gastado. Es posible que la batería explote y se incendie.**

## PRECAUCIÓN

No exponga el cargador a la lluvia, nieve, ni escarcha.

Para disminuir el riesgo de daños al enchufe y cable eléctrico, cuando desconecte el cargador tome el enchufe en lugar del cable.

Asegúrese de que el cable se ubique de tal manera que nadie lo pise, se tropiece ni esté expuesto a daños ni tirantez.

No opere el cargador si el cable o el enchufe están dañados. Reemplácelo inmediatamente.

No opere el cargador si ha recibido un golpe fuerte, se ha caído o dañado de cualquier otra manera.

No desarme el cargador.

No cargue la batería cuando la temperatura sea menos de 4 °C o más de 40 °C.

El cargador está diseñado para operar con suministros eléctricos domiciliarios estándares. No intente usarlo con ningún otro voltaje.

Las cargas consecutivas pueden causar sobrecalentamiento. Si necesita recargar consecutivamente la batería, espere alrededor de 15 minutos para permitir que se enfríe el cargador.

No inserte materiales extraños en el orificio de la batería del estante del cargador.

No desarme la batería.

No almacene la pistola ni la batería en lugares donde la temperatura pueda alcanzar o superar los 40 °C.

No coloque el cargador en un área de calor o frío extremos. Funciona mejor a temperatura ambiente normal.

## Funcionamiento del cargador de batería

Cargue la batería solo con el cargador proporcionado.

Asegúrese de que el voltaje del circuito eléctrico es el mismo que aparece en la placa de especificaciones del cargador. Presione para asegurar que la batería se engancha correctamente con los contactos del cargador

### Función de las luces roja y verde

- Encendido intermitente de la luz roja  
Cuando el cargador está encendido, la luz roja enciende y apaga una vez.
- Encendido intermitente de la luz verde ■ ■ ■  
Cargando
- Luz verde encendida ■■■■■  
Batería cargada completamente
- Luz roja que enciende intermitentemente a 4HZ ■■■■■  
La batería no está cargando
- Luz roja que enciende intermitentemente a 1HZ/5HZ ■■■■  
Batería muy caliente. La carga se restaurará cuando el paquete de baterías enfríe a 40° C. El sobrecalentamiento de la batería se puede atribuir a:
  - A: tiempo de funcionamiento prolongado
  - B: temperatura ambiente muy alta
  - C: una o más células de la batería están dañadas

Se requiere un tiempo de carga de una hora para realizar una carga completa.

La batería se calentará levemente mientras se realice la carga. Esta situación es normal y no indica ningún problema.

### Declaración de conformidad CE



**ALEMITE, LLC**  
167 Roweland Drive  
Johnson City, Tennessee, USA 37601



Declara que según la responsabilidad exclusiva del suministro de la maquinaria descrita como:

**TIPO/SERIE:** Pistola engrasadora inalámbrica

**MODELO:** 595-A, 595-B, 595-C, 595-D

Estos productos están cumplen con las siguientes Directivas de la Comunidad Europea: 2006/42/EC

Se utilizaron las siguientes normas para verificar el cumplimiento con las directivas:

EN60745, EN60335-1, EN60335-2

Aprobado por:

  
Director de Ingeniería: Robert Hoefler

Fecha: December 14, 2011



## Pistolet graisseur sans cordon

### Description

Ces modèles de pistolet sont destinés à distribuer des graisses à base de pétrole (jusqu'à NLGL 2) dans les applications de graissage générales. Un tuyau flexible haute pression de 36 pouces (0,91 mètre), un manchon d'accouplement graisseur à usage industriel, un chargeur de batterie rapide ainsi qu'une mallette de transport moulée accompagnent le pistolet. Les pistolets sont dotés de témoins d'avertissement de basse tension de batterie et de blocage et d'une torche électrique à DEL (1 pile AAA).

Le pistolet utilise un moteur 18 V à trois étages de démultiplication. Un mécanisme de bielle et fourche entraîne une pompe à piston alternatif. Le moteur est alimenté par un bloc- batteries au Lithium-ion rechargeable de 18 volts / 3000 mAh.

Chaque pistolet de ce modèle se charge de trois façons au choix: par cartouche, par succion ou par chargeur (nécessite un raccord de chargeur en option 322610). Les pistolets sont amorcés à ressort et comportent une soupape de purge qui aide à l'amorçage.

### Accessoires en option

Courroie	Chargeur de batterie mobile (12 Vdc to 18 Vdc)	Ensemble de raccord, chargeur
339812	343154	322610

### Caractéristiques

Pression maximale		Vitesse d'écoulement		Efficacité de distribution quand chargé à fond	Capacité du cylindre graisseur			Flexible				Poids (vide)	
					Vrac		Capacité de cartouche	Pressure nominale		Longueur			
Bars	Psi	g/min.	Oz./Min.	Cartouches	g	Onces	Onces	Bars	Psi	Mètres	Pouces	kg	Lb
552	8,000	170	6	27 <sup>1</sup>	454	16	14	690	10,000	0,91	36	3,2	7,2

Pression acoustique ( $L_{pA}$ ) 72,3 dB(A), incertitude (K) 3 dB(A)

Puissance acoustique ( $L_{wA}$ ) 83,3 dB(A), incertitude (K) 3 dB(A)

Valeur d'émissions de vibrations ( $a_h$ ) 0,6 m/s<sup>2</sup>, incertitude (K) 1,5 m/s<sup>2</sup>

<sup>1</sup> Graisse au lithium EP NLGI 2 à une température de 24°C (75°F) distribuée à travers le système notamment le flexible à raccord graisseur et à une pression supplémentaire de 150 psi (10 bar) (simule un raccord graisseur avec soupape d'arrêt).

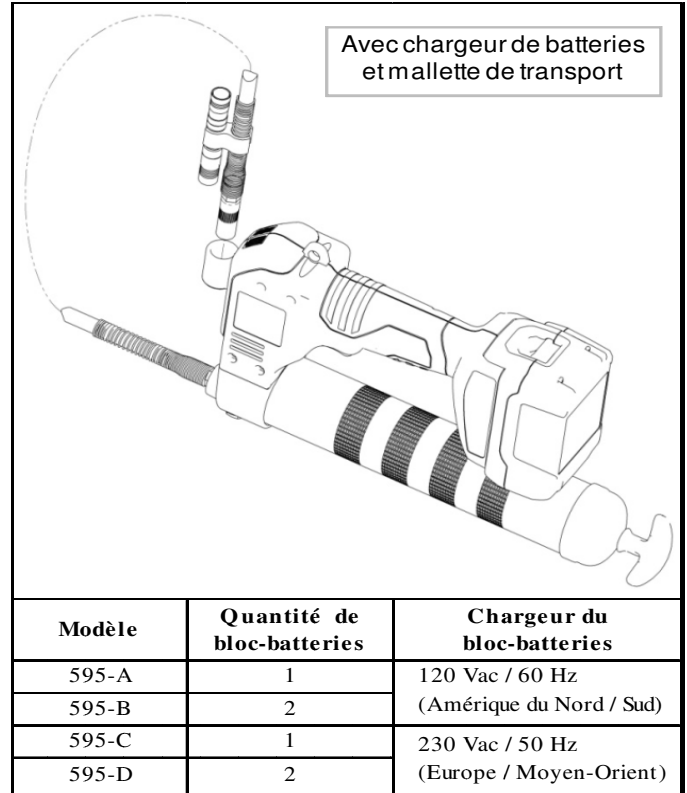


Figure 1 Pistolets graisseur sans cordon série 595

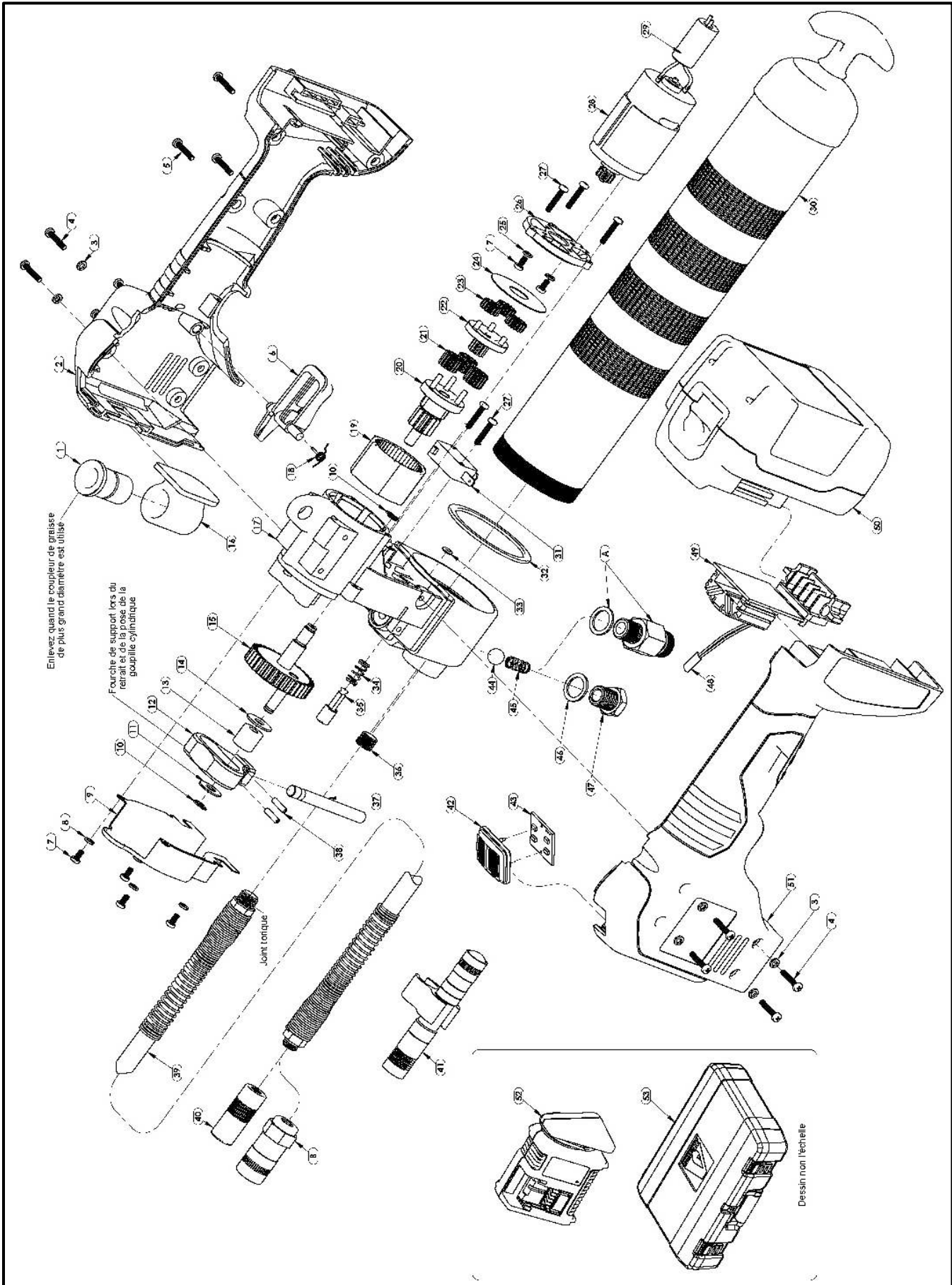


Figure 2 Pistolet graisseur sans cordon Série 595 – Vue éclatée

No d'article	No de pièce	Description	Qté	Trousses de réparation				Remarques
				393795-6 clapet à bille	393757 Soupape de purge	393795-20 Circuiterie électronique*	393795-12 Culasse*	
1		Insertion, Coupleur (Le Caoutchouc)	1					
2		Boîtier droit	1					
3		Rondelle, de blocage	10					
4		Vis, M3	8					
5		Vis	4					
6		Manette	2					
7		Vis, M3 x 6	6					
8		Rondelle, de blocage	4					
9		Fond, supérieur	1					
10		Bague, de retenue	2				•	
11		Rondelle, 6.2 mm DI x 17 mm DE	1					
12		Fourche	1					
13		Roulement, à rouleaux	1					
14		Rondelle, 6.2 mm DI x 15 mm DE	1					
15		Engrenage, de sortie	1					
16		Étui	1					
17		Ensemble de tête et roulement	1				•	
18		Ressort, de manette	1					
19		Roue, intérieure	1					
20		Engrenage, pignon de sortie	1					
21		Roue, planétaire (deuxième étage)	3					
22		Roue, solaire (deuxième étage)	1					
23		Roue, planétaire (premier étage)	3					
24		Rondelle	1					
25		Rondelle, de blocage	2					
26		Support, de moteur	1					
27		Vis, M3 x 16	5					
28	393795-19*	Groupe moteur (avec engrenage à pignons)	1					
29		Aimant, annulaire	1					
30	339820	Groupe cylindre, graisseur	1					
31		Interrupteur	1			•		
32	336523	Joint statique	1					
33		Joint torique	1		•			
34		Ressort, de soupape de purge	1		•			
35		Soupape, de purge	1		•			
36		Bouchon	1					
37		Piston	1				•	
38		Goupille, cylindrique	2				•	
39	340067	Flexible, graissuer	1					Ne jamais substituer
40	308730	Manchon d'accouplement, graisseur	1					
41	343170	Torche électrique (avec attache)	1					
42		Lentille, DEL	1					
43		Carte de circuit imprimé, DEL	1			•		
44		Bille, d'arrêt, diamètre 3/8 po	1	•				
45		Ressort, d'arrêt	1	•				
46		Joint statique (cuivre)	1	•			•	
47		Bouchon, d'arrêt	1	•				
48		Protection, thermique	1			•		
49		Carte de circuit imprimé (avec connecteur de batterie)	1			•		
50	343151	Batterie 18 V	1					Modèles 595-A, -C
			2					Modèles 595-B, -D
51		Boîtier gauche	1					
52	343152	Chargeur, batterie (120 Vac / 60 Hz)	1					Modèles 595-A, -B
	343153	Chargeur, batterie (230 Vac / 50 Hz)	1					Modèles 595-C, -D
53		Mallette, de transport	1					
<b>Facultatif</b>								
A	340338	Soupape de soulagement (avec joint)						
B	6304-B	Manchon d'accouplement, graisseur						

Les pièces don't le numéro est laissé en blanc ne sont pas disponibles séparément.

\*Le remplacement de ces pièces par un centre autre que le centre de service Alemite autorisé annulera la garantie.

## Règles générales de sécurité



## MISE EN GARDE

Lire tous les avertissements de sécurité et toutes les instructions. Le non-respect des avertissements et des instructions pourra entraîner des chocs électriques, un incendie et/ou des blessures graves. Conserver tous les avertissements et instructions pour référence ultérieure. Le terme "outil électrique" utilisé dans les avertissements fait référence à votre outil électrique alimenté par le secteur (à cordon) ou à votre outil électrique alimenté par piles (sans cordon).

### Sécurité dans la zone de travail

- Gardez votre zone de travail propre et bien éclairée. Toute zone encombrée ou sombre peut entraîner des accidents.
- Évitez de faire fonctionner les outils électriques dans des environnements explosifs, comme en présence de liquides, gaz ou poussières inflammables. Un outil électrique produit des étincelles pouvant allumer la poussière ou les vapeurs.
- Gardez les enfants et les spectateurs à bonne distance lorsque vous faites fonctionner un outil électrique. Tout manque d'attention peut contribuer à vous faire perdre contrôle.

### Sécurité électrique

- Les fiches d'outil électrique doivent correspondre à la prise murale. Vous ne devez jamais modifier la fiche de quelque façon que ce soit. Vous ne devez pas utiliser de fiches d'adaptation avec des outils électriques de terre (mis à la terre). Des fiches non modifiées ainsi que des prises murales correspondantes réduiront les risques de choc électrique.
- Évitez tout contact corporel avec des surfaces mises à la terre comme des tuyaux, radiateurs, cuisinières ou réfrigérateurs. Il existe un risque accru de choc électrique si votre corps est mis à la terre.
- Ne pas exposer les outils électriques à la pluie ou à l'humidité. De l'eau pénétrant un outil électrique augmentera les risques de choc électrique.
- Ne pas maltraiter le cordon. Ne jamais utiliser le cordon pour transporter, tirer ou débrancher l'outil électrique. Tenir le cordon éloigné de la chaleur, de l'huile, des arêtes vives ou des pièces mobiles. Tout cordon endommagé ou enchevêtré augmentera les risques de choc électrique.
- Lors de l'exploitation d'un outil électrique à l'extérieur, utilisez une rallonge adaptée à une utilisation extérieure. L'utilisation d'un cordon adapté à un usage extérieur réduira les risques de choc électrique.
- Si le fonctionnement d'une machine-outil dans un endroit humide est inévitable, employez un approvisionnement protégé par dispositif de courant résiduel (RCD). L'utilisation d'un RCD réduit le risque de décharge électrique.

### Sécurité personnelle

- Soyez vigilant, portez attention à ce que vous faites et faites preuve de bon sens lorsque vous utilisez un outil électrique. Évitez d'utiliser un outil électrique lorsque vous êtes fatigué(e) ou sous l'influence de drogues, de médicaments ou d'alcool. Un moment d'inattention lors de l'exploitation d'un outil électrique peut entraîner des blessures graves.
- Utilisez un matériel de sécurité. Toujours porter un protecteur oculaire. Les équipements de sécurité comme les masques antipoussières, les chaussures de sécurité antidérapantes, les casques de sécurité ou les protecteurs d'oreille utilisés dans les conditions appropriées réduiront les blessures.
- Évitez les démarrages accidentels. Assurez-vous que l'interrupteur est en position d'arrêt avant de le brancher. Le transport d'un outil électrique avec le doigt sur l'interrupteur ou le branchement d'un outil électrique avec l'interrupteur en position de marche peut entraîner des accidents.
- Enlevez toute clavette de calage ou clé de réglage avant de mettre l'outil électrique sous tension. Une clavette ou une clé laissée attachée à une pièce mobile de l'outil électrique peut entraîner des blessures.
- Ne tenez pas l'outil électrique à bout de bras. Assurez-vous que vos pieds reposent bien solidement sur le sol afin de garder votre équilibre en tout temps. Vous obtiendrez ainsi un meilleur contrôle de l'outil électrique dans les situations imprévues.
- Portez les vêtements appropriés. Ne portez pas de vêtements amples ou de bijoux. Gardez vos cheveux, vos vêtements et vos gants hors de portée de toutes pièces mobiles. Les vêtements amples, les bijoux et les cheveux longs peuvent s'accrocher dans les pièces mobiles.
- Si des dispositifs sont utilisés pour le raccordement à des installations d'extraction et de collecte des poussières, assurez-vous que ceux-ci sont raccordés et utilisés correctement. L'utilisation de ces dispositifs peut réduire les dangers liés à la poussière.

## Règles générales de sécurité (Continué)

**MISE EN GARDE****Utilisation et entretien de l'outil électrique**

- **Ne pas forcer l'outil électrique. Utilisez l'outil électrique approprié à l'application en cours.**  
L'outil électrique approprié fera un meilleur travail et sera plus sécuritaire au régime pour lequel il a été conçu.
- **N'utilisez pas l'outil électrique si l'interrupteur ne permet pas de le mettre hors tension et sous tension.**  
Tout outil électrique ne pouvant pas être contrôlé à l'aide de l'interrupteur est dangereux et doit être réparé.
- **Débranchez la fiche de la prise d'alimentation avant de réaliser tout réglage, de changer d'accessoire ou d'entreposer les outils électriques.** De telles mesures de sécurité préventive réduisent le risque de faire démarrer l'outil électrique de façon accidentelle.
- **Entreposez les outils électriques non utilisés hors de la portée des enfants et ne permettez pas à des personnes non familiarisées avec le fonctionnement d'un outil électrique ou avec les instructions de faire fonctionner l'outil électrique.** Les outils électriques sont dangereux dans les mains d'un utilisateur non formé.
- **Réparez les outils électriques.** Assurez-vous qu'aucune pièce mobile n'est désalignée ou coincée, qu'aucune pièce n'est cassée et qu'il n'existe aucune autre condition pouvant affecter le fonctionnement de l'outil électrique. Si l'outil électrique est endommagé, faites-le réparer avant de l'utiliser. Beaucoup d'accidents sont causés par des outils électriques en mauvais état.
- **Gardez les outils de coupe bien tranchants et propres.** Un outil de coupe en bon état dont les arêtes sont bien tranchantes a moins de chance de se coincer et est plus facile à contrôler.
- **Utilisez les outils électriques, les accessoires, les grains, etc. conformément aux présentes instructions et selon l'utilisation prévue pour le type particulier d'outil électrique, en tenant compte des conditions d'exploitation et du travail à effectuer.** Toute utilisation de l'outil électrique à des fins autres que celles prévues pourrait entraîner une situation dangereuse.

**Utilisation et entretien de l'outil alimenté par piles**

- **Rechargez seulement avec le chargeur spécifié par le fabricant.** Un chargeur ne convenant qu'à un seul type de bloc-batterie peut entraîner un risque d'incendie lorsqu'il est utilisé avec un autre type de bloc-batterie.
- **N'utilisez les outils électriques qu'avec les blocs-batteries spécifiquement désignés.** L'utilisation de tout autre bloc-batterie peut créer un risque de blessure et d'incendie.
- **Lorsque le bloc-batterie n'est pas utilisé, gardez-le éloigné de tout objet métallique comme des pinces à papier, monnaies, clés, clous, vis ou tout autre objet métallique de petite taille pouvant réaliser une connexion entre une borne et l'autre.** Le court-circuitage des bornes de la batterie peut entraîner des brûlures ou des incendies.
- **Dans des conditions d'abus, du liquide peut être éjecté de la batterie: évitez tout contact avec ce liquide.** En cas de contact accidentel, rincez avec de l'eau. Si le liquide entre en contact avec les yeux, consultez un médecin. Le liquide éjecté de la batterie peut entraîner des irritations ou des brûlures.

**Service**

- **Faites réparer votre outil électrique par un technicien qualifié qui n'utilisera que des pièces de rechange identiques.** Ceci assurera le maintien de la sûreté de votre outil électrique.

## Règles de sécurité spécifiques

**MISE EN GARDE**

Ce pistolet graisseur peut développer une pression élevée pouvant atteindre 552 Bars (8000 psi). La rupture des composantes peut injecter de la graisse sur la peau et dans les yeux et entraîner des blessures graves, voire l'amputation. En cas de blessures, obtenir immédiatement des soins médicaux.

Toujours utiliser le pistolet avec une protection adéquate, des gants et des lunettes de sécurité. Ne tenir le pistolet que par le ressort de protection. Ne pas utiliser si le flexible est endommagé ou usé. Inspecter le flexible avant chaque utilisation. N'utiliser qu'un tuyau flexible graisseur Alemite 340067.

Ce pistolet utilise des lubrifiants pouvant être inflammables et toxiques en cas d'ingestion. Ne pas utiliser le pistolet près d'une flamme ou autres sources d'incendie. Lire tous les avertissements concernant les lubrifiants avant d'utiliser le pistolet.

Portez des écouteurs de protection pour diminuer les risques d'endommagement des tympans. Débranchez le pack de batterie de le pistolet avant de changer des accessoires ou de ranger le pistolet.

Débrancher le bloc-batteries du pistolet avant de changer les accessoires, ranger le pistolet ou dévisser le cylindre graisseur du pistolet.

Assurez-vous que l'interrupteur est en position d'arrêt avant d'insérer le bloc-batterie. L'insertion d'un bloc-batterie dans un outil électrique dont l'interrupteur est en position de marche peut provoquer un accident.

N'essayez jamais d'ouvrir le bloc-batteries, et ce, pour n'importe quelle raison.

N'exposez pas le bloc-batteries à l'eau.

Ne rangez pas le bloc-batteries dans des lieux où la température peut dépasser 40°C (104°F).

Chargez uniquement le bloc-batteries à une température ambiante se situant entre 4°C (40°F) et 40°C (104°F)



Attention! Afin de réduire les risques de blessures, l'utilisateur doit lire le manuel d'instructions.



Collecte séparée. Ce produit ne doit pas être jeté avec les déchets domestiques normaux.

**Chargement et amorçage du pistolet**

REMARQUE : consulter la Figure 2 pour l'identification des composantes utilisées dans les procédures suivantes.

**Chargement par cartouche**

1. Dévisser le cylindre graisseur (30) du pistolet.
2. Tirer le fouloir et engager la gorge du fouloir dans la fente au fond du cylindre graisseur.

3. Retirer le capuchon en plastique de la cartouche.
4. Appliquer une mince couche de graisse à la surface intérieure exposée de la cartouche.
  - REMARQUE: Cela n'est nécessaire que dans le cas d'un pistolet neuf.
5. Introduire la cartouche dans le cylindre graisseur.
  - Retirer le joint de la cartouche.
6. Visser le cylindre sur le pistolet.
7. Dégager le fouloir de la fente au fond du cylindre graisseur.
  - Enfoncer le fouloir complètement dans le cylindre graisseur.

**Chargement par suction**

1. Dévisser le cylindre graisseur (30) du pistolet.
2. Enfoncer la tête du cylindre dans la graisse.
3. Tirer lentement le fouloir du fond du cylindre graisseur jusqu'à ce que la gorge soit visible.
4. Bloquer la gorge du fouloir dans la fente au fond du cylindre graisseur.
5. Visser le cylindre sur le pistolet.
6. Dégager le fouloir de la fente au fond du cylindre.
  - Enfoncer le fouloir complètement dans le cylindre.

**Chargement par chargeur****MISE EN GARDE**

Le pistolet est parfois doté d'un raccord de chargeur basse pression (en option). Ne pas le remplacer par un raccord graisseur haute pression. Une pression trop élevée pourrait entraîner des blessures.

L'emploi d'un raccord graisseur annulerait la garantie.

**ATTENTION**

Le raccord de chargeur du pistolet doit se marier au manchon d'accouplement du chargeur. La pompe risque de ne pas fonctionner si les composantes sont incompatibles.

1. Tirer sur la tige et engager le fouloir en faisant tourner la tige.
2. Loger le raccord de chargeur dans le manchon d'accouplement.
  - Pousser pour maintenir la soupape du manchon d'accouplement ouverte.
3. Actionner la pompe en observant les déplacements du fouloir.
4. Cesser d'actionner la pompe dès que la gorge du fouloir est visible.
5. Dégager la tige du fouloir et pousser dans le cylindre.

## Amorçage du pistolet

Dans la plupart des cas, on amorce le pistolet tout simplement en actionnant sa manette à plusieurs reprises.

Si aucune graisse ne s'écoule, alors il faut purger la culasse.

### Amorçage force

Cette méthode permet de purger manuellement l'air se trouvant dans la soupape de purge.

1. Tirer sur la tige et engager le fouloir en faisant tourner la tige.
2. Appuyer sur la soupape de purge (35) tout en poussant sur la tige du fouloir.

Une fois l'air éliminé, faire fonctionner le pistolet à plusieurs reprises.

Une fois que la graisse commence à s'écouler, dégager la tige du fouloir et pousser dans le cylindre graisseur.

## Exploitation du pistolet

Le bloc-batteries (50) est expédié intentionnellement avec une faible charge.

Charger le bloc-batteries avant l'utilisation.

- Consulter les rubriques suivantes pour de plus amples détails.

Il est nécessaire de charger le bloc-batteries avant la première utilisation et lorsque la puissance produite est insuffisante pour effectuer des tâches facilement exécutables auparavant. Pendant le chargement, la batterie peut devenir chaude; ceci est normal et n'est pas une indication de faute.

### Témoin de tension basse de batterie



Le témoin de tension basse de batterie s'allume lorsque la batterie est suffisamment chargée pour distribuer environ trois cartouches de graisse.

### Témoin de blocage



Le témoin de blocage s'allume lorsqu'une condition de blocage provoque l'ouverture du protecteur thermique. Relâchez la manette pour éteindre le témoin de blocage. Le protecteur thermique se réinitialise automatiquement.

**moteur. Lorsque le pistolet se bloque à cause d'un roulement à bille, de la ligne ou d'un raccord, le protecteur thermique s'ouvrira. Pour la durabilité maximum du moteur, évitez d'utiliser le pistolet lorsqu'il est bloqué.**

### Niveau de propreté de la soupape d'arrêt

Si le pistolet s'arrête, il se peut que la sortie d'arrêt soit bloquée. Débranchez le bouchon d'arrêt (47), nettoyez la bille (44) et le siège de la culasse (17).

## Règles de sécurité du bloc-batterie et du chargeur

Le présent manuel contient des instructions d'exploitation et de sécurité importantes relativement au bloc-batteries numéro de pièce 343151 et aux chargeurs de batterie 343152 et 343153.



### MISE EN GARDE

**Avant d'utiliser le chargeur de batterie, lire toutes les instructions et étiquetage de sécurité sur le chargeur de batterie (52), le bloc-batteries (50) et les produits utilisant le bloc-batteries.**

**Afin de réduire les risques de blessures, n'utiliser que des batteries rechargeables de type Lithium-ion. Tout autre type de batteries peut exploser et entraîner des blessures.**

**Un cordon prolongateur ne doit pas être utilisé sauf en cas de nécessité absolue. L'utilisation d'un cordon prolongateur inadéquat pourrait entraîner des risques d'incendie et de choc électrique. Si l'utilisation d'un cordon prolongateur est nécessaire, s'assurer qu'il est de calibre 16. S'assurer que les broches sur la prise du cordon prolongateur sont de même calibre, taille et forme que la prise du chargeur. S'assurer que le cordon prolongateur est câblé correctement et en bonne condition de fonctionnement.**

**Ne jamais incinérer le bloc-batteries même s'il est sérieusement endommagé ou complètement usé. Le bloc-batteries pourrait exploser sous l'action du feu.**

### ATTENTION

**La présence de poches d'air dans la graisse peut entraîner le désamorçage du pistolet. Vérifier l'amorçage suivant chaque remplissage et avant le graissage.**

**Le pistolet est équipé d'un protecteur thermique afin d'éviter toute surchauffe du**

**ATTENTION**

Éviter d'exposer le chargeur à la pluie, la neige, ou le gel.

Pour réduire les risques d'endommager la prise et le cordon électrique, tirer par la prise plutôt que par le cordon pour débrancher le chargeur.

S'assurer de placer le cordon dans un endroit où il ne sera pas piétiné, où il ne fera pas trébucher et où il sera à l'abri.

Ne jamais faire fonctionner le chargeur lorsque le cordon ou la prise sont endommagés. Remplacer immédiatement.

Ne pas faire fonctionner le chargeur si celui-ci a subi des chocs, est tombé de haut ou endommagé de quelque façon que ce soit.

Ne jamais démonter le chargeur.

Ne pas charger la batterie lorsque la température est inférieure à 4 °C (40 °F) ou supérieure à 40 °C (104 °F).

Le chargeur est destiné à une exploitation sur alimentation électrique domestique standard. Ne pas essayer de le faire fonctionner sur une autre tension.

Des chargements consécutifs peuvent entraîner une surchauffe. S'il est nécessaire de recharger la batterie plusieurs fois de suite, attendre environ 15 minutes afin de permettre au chargeur de refroidir.

Ne pas insérer d'objets étrangers dans le logement de bloc-batteries du support de chargeur.

Ne pas démonter la batterie.

Ne pas entreposer le pistolet et la batterie dans des endroits où la température peut atteindre ou dépasser 40 °C (104 °F).

Ne pas court-circuiter la batterie.

Ne pas ranger le chargeur dans un endroit très chaud ou très froid. Il fonctionne mieux à la température ambiante.

**Fonctionnement du chargeur de batterie**

Ne charger la batterie qu'avec le chargeur qui a été fourni ensemble.

S'assurer que la tension du circuit d'alimentation correspond à celle indiquée sur la plaque signalétique du chargeur. Appuyer sur la batterie pour assurer un bon contact avec les bornes du chargeur.

**Fonction des voyants rouge et vert**

- Voyant rouge clignotant  
Lorsque le chargeur est mis sous tension, le voyant rouge clignote une fois.
  - Voyant vert clignotant ■ ■ ■  
En cours de chargement
  - Voyant vert allumé ■■■■■  
Batterie complètement chargée
  - Voyant rouge clignotant à 4 HZ ■■■■■■  
Batterie ne se chargera pas
  - Voyant rouge clignotant à 1 HZ/ 5 HZ ■■■■■■  
Surchauffe de batterie. Pour continuer le chargement, le bloc-batteries doit être laissé refroidir jusqu'à une température de 40° C (104° F). La surchauffe de la batterie peut être causée par l'une ou l'autre des situations suivantes:
    - A. Utilisation continue trop longue
    - B. Température ambiante trop élevée
    - C. Un ou plusieurs éléments de la batterie endommagés
- 1 heure de charge est nécessaire pour obtenir une pleine charge.
- La batterie est légèrement chaude au toucher lors du chargement. Ceci est normal et n'indique pas un problème.

**Déclaration CE de conformité**

**ALEMITE, LLC**  
167 Roweland Drive  
Johnson City, Tennessee, USA 37601



Déclare que, en vertu de la responsabilité exclusive de la fourniture des appareils décrits comme:

**TYPE/SERIE:** Pistolet graisseur sans cordon

**MODELE:** 595-A, 595-B, 595-C, 595-D

Ces produits sont conformes aux directives suivantes de la Communauté européenne: 2006/42/EC

Les normes suivantes ont été utilisées pour vérifier la conformité à ces directives:

EN60745, EN60335-1, EN60335-2

Approuvé par:

Directeur de l'ingénierie: Robert Hoefler

Date: December 14, 2011



### Akku-Fettpresse

#### Beschreibung

Diese Pressenmodelle sind zur Abgabe von Petroleumfetten (bis NLGI 2) in allgemeinen Schmierwendungen konzipiert. Zum Lieferumfang gehören ein 0,91 Meter (36 Zoll) langer Hochdruck-Schnellschwenkschlauch, eine Industrie-Fettkupplung, ein 1-Stunden-Ladegerät und ein Tragbehälter. Die Pressen besitzen Warnanzeigen für Batteriestand und Blockierung sowie eine LED-Leuchte (1 Microzelle AAA).

Die Pressen verwenden einen 18-V-Motor mit drei Stufen von Untersetzung. Ein besonderer Mechanismus treibt eine sich hin- und herbewegende Kolbenpumpe an. Der Motor wird von einem aufladbaren 18-V-Lithium-Ionen-Akku (3000 mAh) angetrieben.

Jedes Pressenmodell ist für 3 Füllmethoden ausgelegt: Kartusche, Ansaugung und Füllpumpe (erfordert wahlfreien Füllnippel 322610). Die Pressen verfügen über eine Druckfeder und ein Entlüftungsventil zur Unterstützung der Aufladung.

#### Optionales Zubehör

Tragriemen	Akku-Ladegerät für den mobilen Einsatz (DC 12 V to DC 18 V)	Nippelsatz
339812	343154	322610

#### Spezifikationen

Max. Betriebsdruck		Fördermenge bei		Abschmierkapazität (volle Batterieladung)	Fettzylinderkapazität			Schlauchsatz				Gewicht (leer)	
					Menge	Kartuschegröße	Nennndruck	Länge					
Bar	PSI	g/min	oz./min	Kartuschen	g	oz.	oz.	Bar	PSI	m	Zoll	kg	lbs.
552	8000	170	6	27 <sup>1</sup>	454	16	14	690	10,000	0,91	36	3,3	7,2

Schalldruck ( $L_{pA}$ ) 72,3 dB(A), Unsicherheitsfaktor (K) 3 dB(A)  
Schallleistung ( $L_{wA}$ ) 83,3 dB(A), Unsicherheitsfaktor (K) 3 dB(A)  
Vibrationswert ( $a_h$ ) 0,6 m/s<sup>2</sup>, Unsicherheitsfaktor (K) 1,5 m/s<sup>2</sup>

<sup>1</sup> Lithiumfett NLGI 2 EP mit einer Temperatur von 24 °C (75 °F) wird durch den mitgelieferten Hochdruck-Schnellschwenkschlauch unter einem Druck von 10 Bar (150 psi) ausgepresst (simuliert Schmiernippel mit Kugellager).

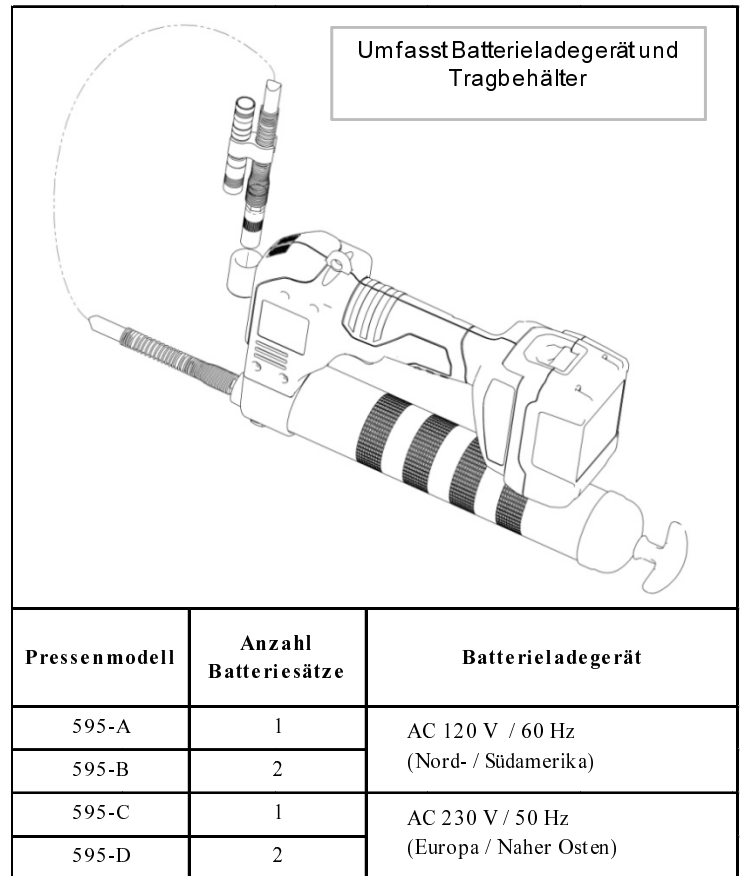


Abbildung 1 Akku-Fettpresse, Modelle 595 Serie

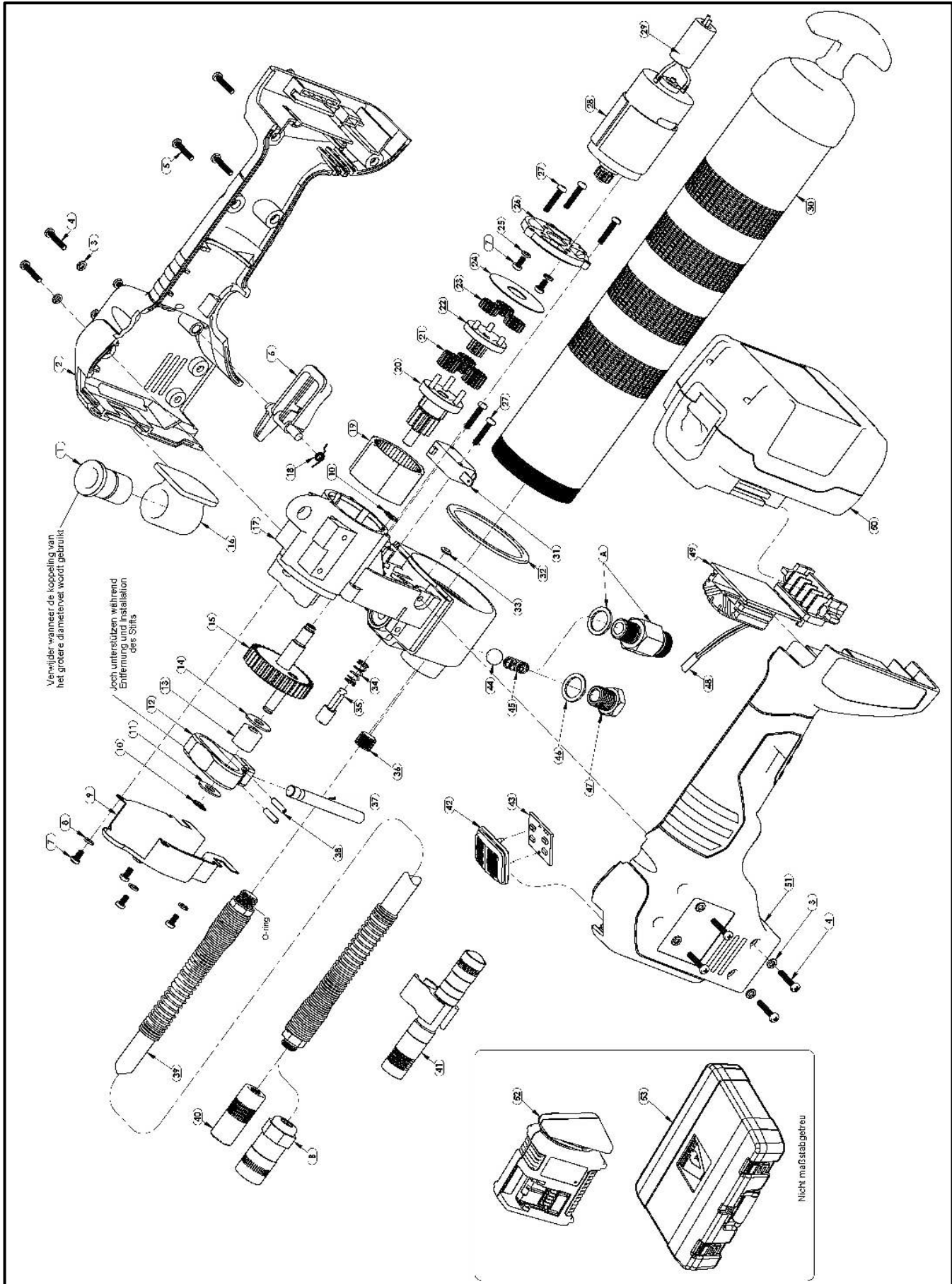


Abbildung 2 Akku-Fettpresse der Modellserie 595 – Explosionsdarstellung

Element-Nr.	Teile-Nr.	Beschreibung	Stk.	Reparatur-Kits				Hinweis
				393795-6 Kugellager	393757 Entlüftungsventil	393795-20 Elektronische Schaltkreise*	393795-12 Kopf*	
1		Tussenvoegsel, Koppeling (Rubber)	1					
2		Gehäuse, rechts	1					
3		Scheibe, Sicherungsscheibe	10					
4		Schraube, M3	8					
5		Schraube	4					
6		Auslöser	2					
7		Schraube, M3 x 6	6					
8		Scheibe, Sicherungsscheibe, M3	4					
9		Abdeckung, Kopf	1					
10		Ring, Rückhaltering	2				•	
11		Scheibe, 0,24 Zoll ID x 0,67 Zoll AD	1					
12		Joch	1					
13		Lager, Rollenlager	1					
14		Scheibe, 0,24 Zoll ID x 0,59 Zoll AD	1					
15		Gangsatz, Ausgang	1					
16		Holster	1					
17		Kopf- und Lagereinheit	1				•	
18		Feder, Auslöser	1					
19		Zahnrad, Innenverzahnung	1					
20		Zahnrad, Ausgangsritzel	1					
21		Zahnrad, Umlaufgetriebe (zweite Stufe)	3					
22		Zahnrad, zentrales Ritzel (zweite Stufe)	1					
23		Zahnrad, Umlaufgetriebe (erste Stufe)	3					
24		Scheibe	1					
25		Scheibe, Sicherungsscheibe	2					
26		Halterung, Motor	1					
27		Schraube, M3 x 16	5					
28	393795-19*	Motorsatz (mit zentralem Ritzel)	1					
29		Ringmagnet	1					
30	339820	Zylindersatz, Fettzylinder	1					
31		Schalter	1			•		
32	336523	Dichtung	1					
33		O-Ring	1		•			
34		Feder, Entlüftungsventil	1		•			
35		Ventil, Entlüftung	1		•			
36		Stöpsel	1					
37		Kolben	1				•	
38		Stift	2				•	
39	340067	Schlauchsatz, Fettschlauch	1					Niemals Fremdprodukt verwenden
40	308730	Kupplung, Fettkupplung	1					
41	343170	Leuchte (mit Clip)	1					
42		Linse, LED	1					
43		Leiterplatte, LED	1			•		
44		Kugel, 3/8 Zoll Durchmesser	1	•				
45		Feder	1	•				
46		Dichtung (Kupfer)	1	•			•	
47		Ablassschraube	1	•				
48		Temperaturwächter	1			•		
49		Leiterplatte (mit Batterieanschluss)	1			•		
50	343151	Batterie, 18 V	1					Modell 595-A, -C
			2					Modell 595-B, -D
51		Gehäuse, links	1					
52	343152	Ladegerät, Batterie (120 V Wechselstrom / 60 Hz)	1					Modell 595-A, -B
	343153	Ladegerät, Batterie (230 V Wechselstrom / 50 Hz)	1					Modell 595-C, -D
53		Tragbehälter	1					
<b>Wahlfrei</b>								
A	340338	Entlastungsventil (mit Dichtung)						
B	6304-B	Kupplung, Fettkupplung						

Eine nicht eingetragene Teilenummer bedeutet, dass das Teil nicht separat lieferbar ist.

\*Diese Teile dürfen nur von autorisierten Service-Zentren ausgetauscht werden. Andernfalls gehen alle Garantieansprüche verloren.



## WARNUNG

Alle Warnungen und Sicherheitsanweisungen durchlesen. Das Nichtbefolgen der Warnungen und Sicherheitsanweisungen kann zu elektrischen Schlägen, Feuer oder schweren Verletzungen führen. Alle Warnungen und Anweisungen zur späteren Bezugnahme aufbewahren. Der Begriff „Elektrowerkzeug“ in den Warnhinweisen bezieht sich sowohl auf netzbetriebene als auch akkubetriebene Elektrowerkzeuge.

### Arbeitssicherheit

- Den Arbeitsbereich sauber und gut beleuchtet halten. Überfüllte und dunkle Bereiche können zu Unfällen führen.
- Elektrowerkzeuge nicht in explosiven Umgebungen, beispielsweise in der Gegenwart von entflammenden Flüssigkeiten, Gasen oder Dämpfen/Stäuben, betreiben. Elektrowerkzeuge erzeugen Funken, die Gase/Dämpfe/Stäube entzünden können.
- Kinder und Zuschauer während des Betriebs eines Elektrowerkzeugs fernhalten. Ablenkung kann zum Verlust der Kontrolle führen.

### Elektrische Sicherheit

- Elektrowerkzeugstecker müssen auf die Steckdose passen. Den Stecker unter keinen Umständen ändern. Keine Adapterstecker mit geerdeten Elektrowerkzeugen verwenden. Nicht veränderte Stecker und passende Steckdosen reduzieren die Gefahr von Stromschlag.
- Körperkontakt mit geerdeten Flächen, z. B. Rohren, Radiatoren, Kochherden und Kühlschränken, vermeiden. Es herrscht erhöhte Stromschlaggefahr, wenn der Körper geerdet ist.
- Das Elektrowerkzeug nicht Regen oder anderen nassen Bedingungen aussetzen. Wenn Wasser in ein Elektrowerkzeug eindringt, wird die Gefahr von Stromschlag erhöht.
- Das Kabel nicht übermäßig beanspruchen. Das Kabel niemals zum Tragen, Ziehen oder Herausziehen des Netzkabels des Elektrowerkzeugs verwenden. Das Kabel von Hitze, Öl, scharfen Kanten oder bewegten Teilen fernhalten. Beschädigte oder verwickelte Kabel erhöhen die Gefahr von Stromschlag.
- Wenn Elektrowerkzeuge im Freien betrieben werden, ein für Gebrauch im Freien geeignetes Verlängerungskabel verwenden. Ein für Gebrauch im Freien geeignetes Verlängerungskabel reduziert die Gefahr von Stromschlag.
- Wenn es sich nicht vermeiden lässt, ein Elektrowerkzeug an einem feuchten Standort zu betreiben, muss eine Steckdose mit Fehlerstromschutzschaltung verwendet werden. Gebrauch eines RCD verringert das Risiko des Elektroschocks.

### Persönliche Sicherheit

- Beim Betreiben eines Elektrowerkzeugs wachsam bleiben, vorsichtig vorgehen und gesunden Menschenverstand anwenden. Keine Elektrowerkzeuge verwenden bei Müdigkeit oder Einfluss von Arzneimitteln oder Alkohol. Ein Moment der Unachtsamkeit kann beim Betreiben eines Elektrowerkzeugs schwere Körperverletzungen zur Folge haben.
- Sicherheitsausrüstung verwenden. Stets Augenschutz tragen. Sicherheitsausrüstung, wie Staubmaske, rutschfeste Schutzschuhe, Schutzhelm oder Gehörschutz reduzieren Körperverletzungen.
- Versehentliches Starten vermeiden. Vor dem Einstecken sicherstellen, dass sich der Schalter in der Aus-Position befindet. Das Tragen von Elektrowerkzeugen mit dem Finger am Schalter oder das Einstecken von Elektrowerkzeugen, bei denen sich der Schalter in der Ein-Position befindet, kann zu Unfällen führen.
- Vor dem Einschalten des Elektrowerkzeugs alle Einstellwerkzeuge oder Schlüssel entfernen. Wenn ein Schlüssel oder anderes Werkzeug an einem drehenden Teil des Elektrowerkzeugs befestigt ist, können dadurch Körperverletzungen auftreten.
- Nicht zu weit reichen. Stets guten Stand und das Gleichgewicht bewahren. Dies ermöglicht bessere Kontrolle des Elektrowerkzeugs in unerwarteten Situationen.
- Angemessene Kleidung tragen. Keine lose Kleidung und keinen Schmuck tragen. Die Haare, Kleidung und Handschuhe von bewegten Teilen fernhalten. Lose Kleidung, Schmuck oder lange Haare sich können in bewegten Teilen verfangen.
- Wenn Geräte zum Anschließen von Staubabsaugung und Sammlungseinrichtungen vorhanden sind, sicherstellen, dass diese angeschlossen und ordnungsgemäß verwendet sind. Der Einsatz dieser Geräte kann staubbezogene Gefahren reduzieren.



## WARNUNG

### Elektrowerkzeug-Gebrauch und -Pflege

- Das Elektrowerkzeug nicht überbeanspruchen. Das für die jeweilige Anwendung geeignete Elektrowerkzeug verwenden. Das richtige Elektrowerkzeug erledigt die Arbeit besser und sicherer mit der Geschwindigkeit, für die es konzipiert wurde.
- Das Elektrowerkzeug nicht verwendet, wenn der Schalter nicht ein- und ausgeschaltet werden kann. Jedes Elektrowerkzeug, das nicht über den Schalter kontrolliert werden kann, ist gefährlich und muss repariert werden.
- Vor dem Vornehmen von Änderungen, Wechseln von Zubehör bzw. Verstauen von Elektrowerkzeugen stets das Gerät von der Stromquelle trennen. Solche vorbeugenden Sicherheitsmaßnahmen reduzieren die Gefahr, dass das Elektrowerkzeug versehentlich gestartet wird.
- Nicht gebrauchte Elektrowerkzeuge für Kinder unerschwinglich aufbewahren und keine Personen, die mit dem Elektrowerkzeug bzw. diesen Anleitungen zum Betreiben des Geräts nicht vertraut sind, das Elektrowerkzeug gebrauchen lassen. Elektrowerkzeuge sind in den Händen von untrainierten Benutzern gefährlich.
- Elektrowerkzeuge warten. Auf schlechte Ausrichtung oder Klemmen von bewegten Teilen, Bruch von Teilen oder andere Bedingungen prüfen, die den Betrieb des Elektrowerkzeugs beeinträchtigen können. Bei Beschädigung des Elektrowerkzeugs vor Gebrauch reparieren. Viele Unfälle werden durch schlecht gewartete Elektrowerkzeuge verursacht.
- Schneidwerkzeuge scharf und sauber halten. Ordnungsgemäß gewartete Schneidwerkzeuge mit scharfen Schneidkanten sind weniger anfällig gegen Verklemmen und einfacher zu kontrollieren.
- Elektrowerkzeug, Zubehör, Bohrspitzen usw. gemäß diesen Anleitungen und in der für den jeweiligen Typ von Elektrowerkzeug vorgesehenen Weise verwenden und dabei die Arbeitsbedingungen und die durchzuführende Arbeit berücksichtigen. Die Verwendung des Elektrowerkzeugs in einer nicht vorgesehenen Weise kann eine gefährliche Situation hervorrufen.

### Akkubetriebene Werkzeuge – Gebrauch und Pflege

- Ausschließlich mit dem vom Hersteller angegebenen Ladegerät wiederaufladen. Ein Ladegerät, das für einen bestimmten Typ von Batteriesatz geeignet ist, ruft u. U. eine Gefahr von Brand hervor, wenn es mit einem anderen Batteriesatz verwendet wird.
- Elektrowerkzeuge ausschließlich mit ausdrücklich spezifizierten Batteriesätzen verwenden. Die Verwendung eines anderen Batteriesatzes kann eine Gefahr von Verletzung und Brand hervorrufen.
- Wenn der Batteriesatz nicht verwendet wird, diesen von anderen Metallobjekten fernhalten, z. B. Büroklammern, Münzen, Schlüssel, Nägel, Schrauben usw., (Objekte, die eine Brücke von einem Anschluss zu einem anderen Anschluss herstellen können). Kurzschließen der Batterieanschlüsse kann zu Verbrennungen oder Brand führen.
- Unter missbräuchlichen Bedingungen gibt die Batterie u. U. Flüssigkeit ab; Kontakt vermeiden. Wenn versehentlich Kontakt entsteht, mit Wasser spülen. Wenn Flüssigkeit mit Augen in Kontakt kommt, zusätzlich ärztliche Hilfe aufsuchen. Aus der Batterie austretende Flüssigkeit kann Reizung und Verbrennung verursachen.

### Service

- Das Elektrowerkzeug einem Service durch einen qualifizierten Reparaturtechniker unterziehen und dabei ausschließlich identische Ersatzteile verwenden. Dies stellt sicher, dass die Sicherheit des Elektrowerkzeugs gewährleistet ist.

## Spezifische Sicherheitsvorschriften

**WARNUNG**

Die Presse kann Hochdruck bis 552 bar (8000 PSI) entwickeln. Durch Bersten von Komponenten kann Fett in die Haut oder Augen eingespritzt werden, was schwere Verletzungen, einschließlich Amputation, zur Folge haben kann. Bei Verletzung unverzüglich ärztliche Hilfe aufsuchen.

Nicht ohne ordnungsgemäße Schutzausrüstung, Schutzhandschuhe und Schutzbrille betreiben. Schlauch ausschließlich am Federschutz halten. Nicht verwenden, wenn Schlauch beschädigt oder verschlissen ist. Schlauch vor jeder Verwendung inspizieren. Ausschließlich Alemite 340067 Fett-Schnellschwenkschlauch verwenden.

Diese Presse verwendet Schmiermittel, die bei Einnahme Vergiftung und Verbrennung verursachen können. Die Presse nicht in der Nähe einer offenen Flamme oder bei Brandgefahr verwenden. Vor Gebrauch dieser Presse alle Warnungen auf Schmiermitteln lesen.

Tragen Sie Gehörschutz, um Ihre Ohren vor Hörverlust zu schützen.

Trennen Sie den Batteriesatz von der Presse bevor Zube- hör wechseln oder das Werkzeug lagern.

Vor Wechseln von Zubehör, Verstauen der Presse oder Abschrauben des Fettzylinders von der Presse den Batteriesatz von der Presse trennen.

Vor dem Einführen des Batteriesatzes sicherstellen, dass sich der Schalter in der Aus-Position befindet. Das Einführen des Batteriesatzes in Elektrowerkzeuge, bei denen sich der Schalter in der Ein-Position befindet, kann zu Unfällen führen

Den Akku unter keinen Umständen öffnen.

Den Akku nicht mit Wasser in Berührung bringen.



**Achtung!** Um die Verletzungsgefahr zu verringern, muss der Benutzer die Bedienungsanleitung lesen.



Getrennte Entsorgung. Dieses Produkt darf nicht über den normalen Hausmüll entsorgt werden.

## Befüllung und Aufladung der Presse

**HINWEIS:** Für Komponentenidentifizierung in den folgenden Verfahren siehe **Abbildung 2**.

## Kartuschenbefüllung

1. Den Fettzylinder (30) von der Presse abschrauben.
2. Am Stößel ziehen und die Furche des Stößels am Schlitz in der Fettzylinderkappe einrasten.
3. Die Kunststoffkappe von der Kartusche entfernen.

4. Eine dünne Schicht Fett auf die zugänglichen Innenoberflächen der Kartusche auftragen.

**HINWEIS:** Dies ist nur bei einer ungebrauchten Presse erforderlich

5. Die Kartusche in den Fettzylinder einführen.
  - Die gewebeartige Dichtung von der Kartusche entfernen.
6. Den Fettzylinder auf die Presse aufschrauben.
7. Den Stößel aus dem Schlitz in der Fettzylinderkappe lösen.
  - Den Stößel in den Fettzylinder stoßen.

## Ansaugungsbefüllung

1. Den Fettzylinder (30) von der Presse abschrauben.
2. Den Kopf des Fettzylinders unterhalb des Fettspiegels platzieren.
3. Den Stößel langsam von der Fettzylinderkappe weg nach außen ziehen, bis die Furche sichtbar ist.
4. Die Furche des Stößels am Schlitz in der Fettzylinderkappe einrasten.
5. Den Fettzylinder auf die Presse aufschrauben.
6. Den Stößel aus dem Schlitz in der Fettzylinderkappe lösen.
  - Den Stößel in den Fettzylinder stoßen.

## Füllpumpe

**WARNUNG**

Die Presse kann mit einem wahlfreien Niederdruck-Füllnippel bestückt werden. Nicht durch einen Hochdruck-Schmiernippel ersetzen. Körperverletzungen aufgrund von übermäßigem Druck können auftreten.

Die Verwendung eines Schmiernippels hebt die Garantie auf.

**VORSICHT**

Der Füllnippel an der Presse muss mit der Füllkupplung übereinstimmen. Die Pumpe funktioniert möglicherweise nicht, falls die Komponenten nicht kompatibel sind.

1. Am Stößel ziehen und den Stößel durch Drehen einrasten.
2. Den Füllnippel in der Füllkupplung platzieren.
  - Nach unten drücken, um das Kupplungsventil offen zu halten.
3. Die Pumpe betreiben und die Bewegung des Stößels beobachten.
4. Den Pumpenbetrieb stoppen, wenn die Furche des Stößels sichtbar ist.
5. Den Stößel lösen und in den Fettzylinder stoßen.

## Aufladen der Presse

In dem meisten Fällen kann die Presse durch mehrfaches Betätigen des Auslösers aufgeladen werden. Falls kein Fett austritt, muss entlüftet werden.

### Forcieren der Aufladung

Dieses Verfahren führt Luft innerhalb der Presse zwecks Entlüftung über das Entlüftungsventil ab.

1. Am Stößel ziehen und den Stößel durch Drehen einrasten.
2. Das Entlüftungsventil (35) niederdrücken und gleichzeitig am Stößel ziehen.

Nachdem die Luft eliminiert ist, die Presse mehrmals betätigen.

Sobald Fett austritt, den Stößel lösen und in den Fettzylinder stoßen.

## Pressenbedienung

Der Batteriesatz (50) wird vorsätzlich mit einer niedrigen Ladung versendet.

Den Batteriesatz vor Gebrauch aufladen.

- Einzelheiten im folgenden Abschnitt nachschlagen.

Den Akku vor dem ersten Einsatz und bei verminderter Pressenleistung aufladen. Während des Ladevorgangs kann sich der Akku erwärmen. Das ist normal und kein Anzeichen für ein Problem.

### Batteriewarnanzeige



Wenn die Batteriewarnanzeige aufleuchtet, reicht die verbleibende Akkuladung noch für ca. drei Fettkartuschen aus.

### Blockieranzeige



Die Blockieranzeige leuchtet auf, wenn der Überhitzungsschutz durch eine Blockierung aktiviert wird. Zum Ausschalten der Blockieranzeige den Auslöser loslassen. Der Überhitzungsschutz setzt sich selbsttätig zurück.

## VORSICHT

**Luftblasen im Fett können bewirken, dass die Presse die Aufladung verliert. Die Aufladung nach jeder Befüllung und vor Schmierarbeiten prüfen.**

**Die Fettpresse ist gegen Überhitzung des Motors geschützt. Festgefressene Lager sowie verstopfte Leitungen/Schmierpunkte können den Motor zum Stillstand bringen. In diesem Fall wird der Überhitzungsschutz aktiviert. Um eine möglichst lange Lebensdauer zu gewährleisten, sollte der Motor bei zu starkem Anlaufwiderstand nicht betrieben werden.**

## Verschmutztes Rückschlagventil

Bei Versagen der Fettpresse kann das Auslass-Rückschlagventil manuell offen gehalten werden. Ablassschraube (47) entfernen, dann Kugel (44) und Kugelsitz des Kopfes (17) reinigen.

## Sicherheitsvorschriften für Batteriesatz und Ladegerät

Diese Anleitung enthält wichtige Sicherheits- und Betriebsanleitungen für den Batteriesatz, Teilenummer 343151, und die Batterieladegeräte, Teilenummer 3431542 und 343153.

### WARNUNG



**Vor Gebrauch des Batterieladegeräts alle Anweisungen und Warnhinweise am Batterieladegerät (52), am Batteriesatz (50) und an den Produkten lesen.**

**Um die Verletzungsgefahr zu reduzieren ausschließlich aufladbare Batterien des Typs "Lithium-Ionen-Akku" verwenden. Andere Typen von Batterien können bersten und Verletzungen verursachen.**

**Es sollte kein Verlängerungskabel verwendet werden, außer wenn absolut notwendig. Die Verwendung eines unsachgemäßen Verlängerungskabels kann Brand- oder Stromschlaggefahr bewirken. Wenn ein Verlängerungskabel verwendet werden muss, sicherstellen, dass es einen Durchmesser von 1,29 mm (AWG 16) aufweist. Sicherstellen, dass die Stifte des Steckers des Verlängerungskabels bezüglich Anzahl, Größe und Form mit dem Stecker am Ladegerät übereinstimmen. Sicherstellen, dass das Verlängerungskabel korrekt verdrahtet ist und sich in gutem elektrischem Zustand befindet.**

**Den Batteriesatz nicht verbrennen, auch wenn dieser vollständig unbrauchbar oder verschlissen ist. Der Batteriesatz explodiert u. U. in einem Feuer.**

**VORSICHT**

Das Ladegerät nicht Regen, Schnee oder Frost aussetzen.

Zur Verminderung der Gefahr von Beschädigung an Steckern und Verlängerungskabeln beim Trennen des Ladegeräts vom Netz. am Stecker und nicht am Kabel ziehen.

Sicherstellen, dass das Kabel so verlegt ist, dass niemand darauf tritt oder darüber stolpert oder das Kabel nicht anderweitig möglicher Beschädigung oder unnötiger Beanspruchung ausgesetzt ist.

Das Ladegerät nicht betreiben, wenn Kabel oder Stecker beschädigt sind. Unverzüglich ersetzen.

Das Ladegerät nicht betreiben, wenn das Gerät einem starken Stoß ausgesetzt, fallen gelassen oder anderweitig beschädigt wurde.

Das Ladegerät nicht zerlegen.

Das Batterieladegerät nicht aufladen, wenn die Temperatur unterhalb von 4° C (40° F) bzw. oberhalb von 40° C (104° F) liegt.

Das Ladegerät ist für den Betrieb mit normalem Haushaltsnetzstrom konzipiert. Das Gerät nicht mit einer anderen Spannung verwenden.

Fortgesetztes Aufladen kann zu Überhitzung führen. Wenn fortgesetzt Batteriesätze aufgeladen werden müssen, dem Ladegerät ungefähr 15 Minuten Pause zur Abkühlung gewähren.

Keine Fremdkörper in die für den Batteriesatz vorgesehene Öffnung des Ladegeräts einführen.

Den Batteriesatz nicht zerlegen.

Die Presse und den Batteriesatz nicht an Orten lagern, wo die Temperatur 40° C (104° F) erreichen bzw. überschreiten kann.

Den Batteriesatz nicht kurzschließen.

Das Ladegerät nicht in eine Umgebung bringen, in dem extreme Hitze oder Kälte auftreten kann. Das Gerät funktioniert am besten bei normaler Raumtemperatur.

**Bedienung des Batterieladegeräts**

Den Batteriesatz ausschließlich mit dem gelieferten Ladegerät aufladen.

Nachprüfen, ob die Netzspannung mit der auf dem Typenschild des Ladegerätes angegebenen Spannung übereinstimmt. Die Batterie niederdrücken, um sicherzustellen, dass die Kontakte des Ladegerätes berührt werden.

**Funktion der roten und der grünen Leuchte**

- Rote Anzeige blinkt  
Wenn das Ladegerät eingeschaltet wird, blinkt die rote Anzeige ein Mal.
- Grünes Licht blinkt ■ ■ ■  
Das Gerät lädt auf.
- Grünes Licht leuchtet auf ■■■■■  
Der Akku ist vollständig aufgeladen.
- Rotes Licht blinkt in Folge (4 Hz) ■■■■■■  
Der Akku kann nicht aufgeladen werden.
- Rotes Licht blinkt in Folge (1 Hz/ 5 Hz) ■■■■■■  
Der Akku ist überhitzt. Der Ladevorgang wird wieder aufgenommen, wenn der Akku auf 40° C (104° F) abgekühlt ist. Mögliche Ursachen für ein Überhitzen des Akkus:
  - A. Langer ununterbrochener Einsatz
  - B. Hohe Umgebungstemperatur
  - C. Eine oder mehrere Zellen beschädigt

Für das vollständige Aufladen ist eine Aufladezeit von 1 Stunde erforderlich.

Der Batteriesatz erwärmt sich während der Aufladung leicht und fühlt sich handwarm an. Dies ist normal und bedeutet nicht, dass ein Problem vorliegt.

**EG-Konformitätserklärung**

**ALEMITE, LLC**  
167 Roweland Drive  
Johnson City, Tennessee, USA 37601



Erklärt aufgrund seiner alleinigen Verantwortung für die Lieferung der nachstehend beschriebenen Maschinen:

TYP/SERIE: Akku-Fettpresse  
MODELL: 595-A, 595-B, 595-C, 595-D

Dass diese den folgenden EU-Maschinenrichtlinien genügen: 2006/42/EC

Zur Prüfung der Einhaltung der Richtlinien wurden folgende Standards verwendet:

EN60745, EN60335-1, EN60335-2

Genehmigt von:

Geschäftsführer Technik: Robert Hoefler

Datum: December 14, 2011



## Ingrassatore a pressione senza filo

### Descrizione

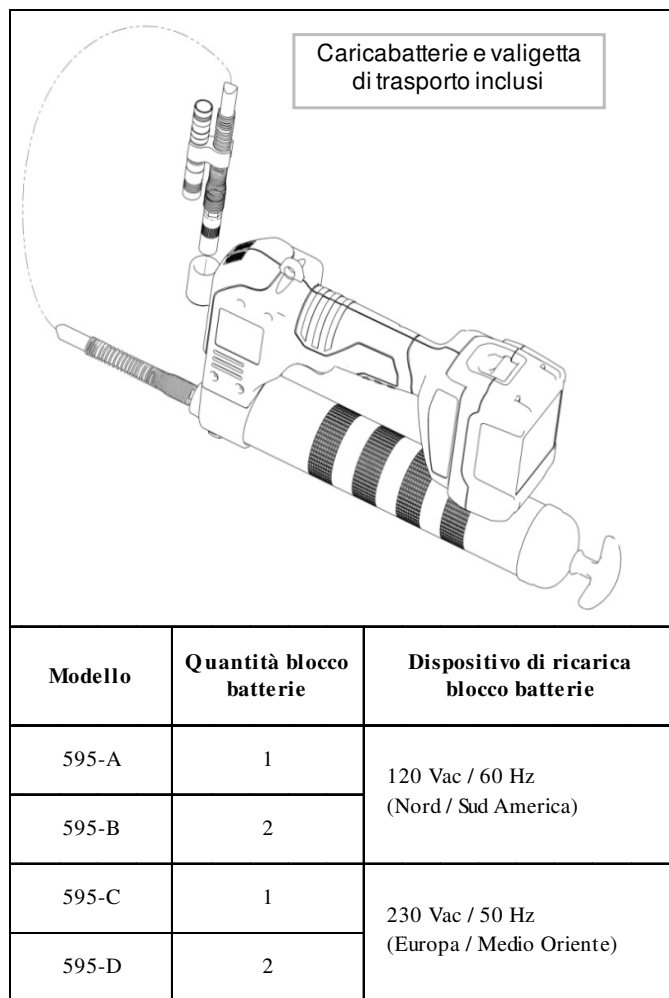
Questi modelli di ingrassatore sono progettati per distribuire grassi a base di petrolio (fino a NLGI 2) per applicazioni di lubrificazione generali. L'ingrassatore è provvisto di un tubo flessibile ad alta pressione di 36 pollici (0,91 metri), di un raccordo di lubrificazione per usi industriali, di un caricabatterie rapido (1 ora) e di una valigetta di trasporto sagomata. Le pistole sono dotate di spie di avviso per batteria scarica e per blocco e di una torcia LED (1 batteria AAA).

L'ingrassatore è munito di un motore a 18 V a tre fasi di demoltiplicazione. Un meccanismo biella/forcella comanda una pompa a stantuffi alternativa. Il motore è alimentato da un blocco batteria agli ioni di litio ricaricabile di 18 Volt / 3000 mAh.

Ogni ingrassatore è ricaricabile in 3 modi: tramite cartuccia, aspirazione o caricatore (a tale scopo, è necessario il raccordo di caricamento 322610 in opzione). Gli ingrassatori sono azionati a molla e sono muniti di una valvola di spurgo per favorire l'adescamento.

### Accessori opzionali

Tracolla di trasporto	Caricabatterie Carrellato (12 Vdc to 18 Vdc)	Gruppo raccordi
339812	343154	322610



**Figura 1** Pistola per ingrassaggio senza filo, modelli 595

### Caratteristiche

Pressione max.		Portata		Capacità di distribuzione a pieno	Capacità del cilindro ingrassatore			Tubo flessibile				Peso (a vuoto)	
					Sfuso		Capacità cartuccia	Pressione nominale		Lunghezza			
Bar	psi	gms/min.	oz./min.	Cartucce	gms	once	once	Bar	psi	Metri	Pollici	Kg	Lb
552	8000	170	6	27 <sup>1</sup>	454	16	14	690	10,000	0,91	36	3,3	7.2

Pressione sonora ( $L_{pA}$ ) 72,3 dB(A), incertezza (K) 3 dB(A) Potenza acustica ( $L_{WA}$ ) 83,3 dB(A), incertezza (K) 3 dB(A)

Valore di emissione delle vibrazioni ( $a_h$ ) 0,6 m/s<sup>2</sup>, incertezza (K) 1,5 m/s<sup>2</sup>

<sup>1</sup> Grasso a base di litio NLGI 2 EP a una temperatura di 24 °C (75 °F) erogato attraverso il gruppo tubi incluso con innesto di ingrassaggio e contro una pressione aggiunta di 10 bar (150 psi), (per simulare il raccordo di ingrassaggio con valvola di ritegno a sfera).

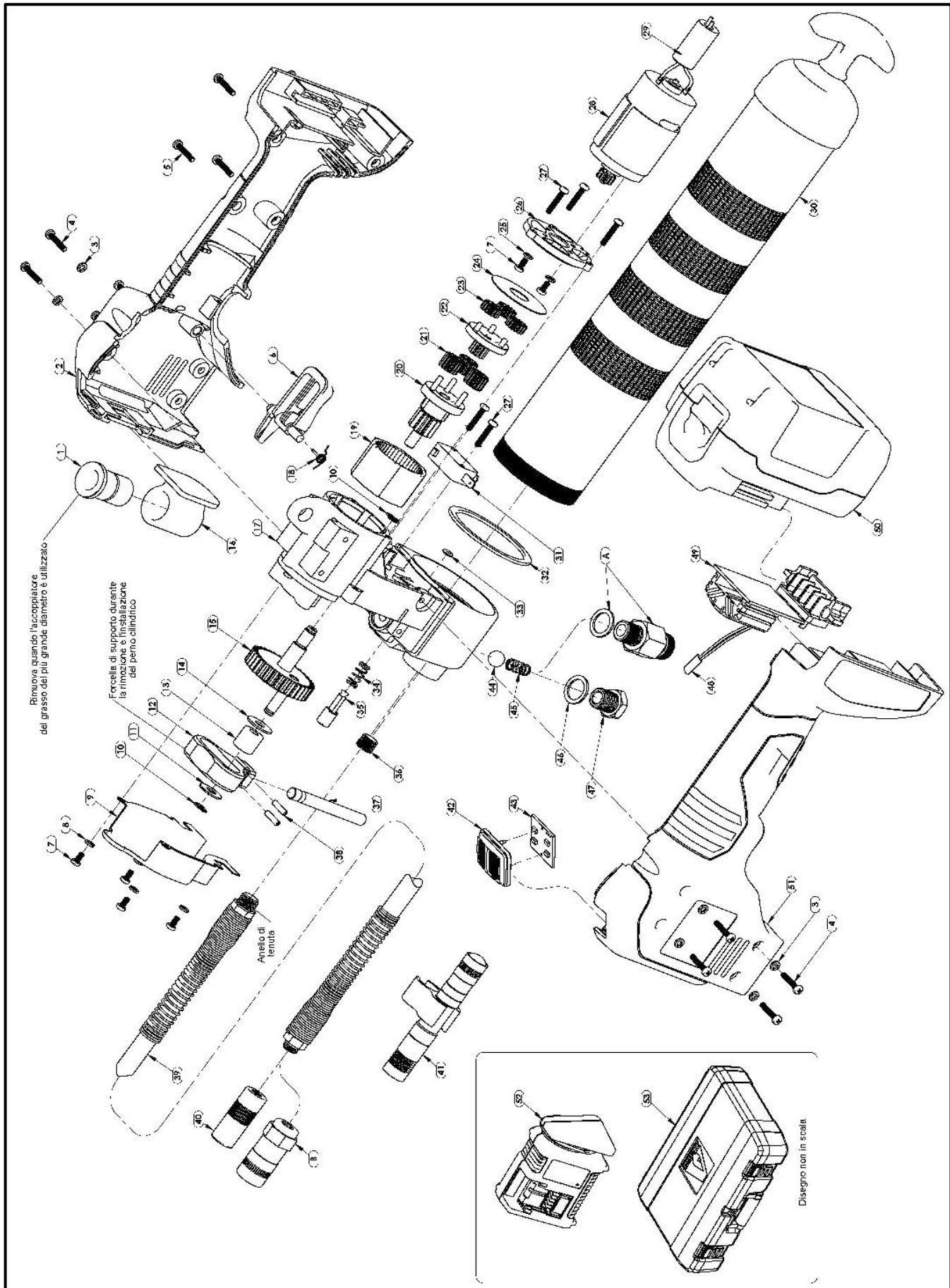


Figura 2 Pistola per ingrassaggio serie 595 - Spaccato

Articolo N.	Elemento N.	Descrizione	Q.tà	Kit di riparazione				Nota
				393795-6 Valvola di arresto	393757 Valvola di spurgo	393795-20 Circuiti elettronici*	393795-12 Testa*	
1		Insero, Accoppiatore (Gomma)	1					
2		Alloggiamento, destra	1					
3		Rondella di bloccaggio	10					
4		Vite, M3	8					
5		Vite	4					
6		Trigger	2					
7		Vite, M3 x 6	6					
8		Rondella di bloccaggio	4					
9		Protezione testina	1					
10		Anello di tenuta	2				•	
11		Rondella, 0,24 " DI x 0,67 " DE	1					
12		Forcella	1					
13		Cuscinetto di rotolamento	1					
14		Rondella, 0,24 " DI x 0,59 " DE	1					
15		Ingranaggio di uscita	1					
16		Custodia	1					
17		Gruppo testa e cuscinetti	1				•	
18		Trigger con molla	1					
19		Ingranaggio interno	1					
20		Ingranaggio, pignone di uscita	1					
21		Ingranaggio centrale (secondo stadio)	3					
22		Ingranaggio planetario (secondo stadio)	1					
23		Ingranaggio planetario (primo stadio)	3					
24		Rondella	1					
25		Rondella di bloccaggio	2					
26		Supporto motore	1					
27		Vite, M3 x 16	5					
28	393795-19*	Gruppo motore (con ingranaggio centrale)	1					
29		Magnete, anello	1					
30	339820	Gruppo cilindro, ingrassatore	1					
31		Interruttore	1			•		
32	336523	Guarnizione	1					
33		Anello di tenuta	1		•			
34		Molla, valvola di spurgo	1		•			
35		Valvola di spurgo	1		•			
36		Tappo	1					
37		Stantuffo	1				•	
38		Perno cilindrico	2				•	
39	340067	Tubo flessibile, ingrassatore	1					Modelli 595-A, -C
40	308730	Raccordo, ingrassatore	1					Modelli 595-B, -D
41	343170	Torcia (con clip)	1					
42		Lente, LED	1					
43		Scheda circuiti, LED	1			•		
44		Cuscinetto di arresto, diametro 3/8"	1	•				
45		Molla di arresto	1	•				
46		Guarnizione (Rame)	1	•			•	
47		Tappo di arresto	1	•				
48		Protettore termico	1			•		
49		Scheda circuiti (con connettore batteria)	1			•		
50	343151	Blocco batterie, 18 V	1					Modelli 595-A, -C
			2					Modelli 595-B, -D
51		Alloggiamento, sinistra	1					
52	343152	Caricabatterie (120 Vca / 60 Hz)	1					Modelli 595-A, -B
	343153	Caricabatterie (230 Vca / 50 Hz)	1					Modelli 595-C, -D
53		Valigetta di trasporto	1					
<b>Facoltativo</b>								
A	340338	Raccordo, ingrassatore						
B	6304-B	Valvola di sicurezza (con guarnizione)						
<p>I numeri degli articoli lasciati in bianco non sono disponibili separatamente.                      *La sostituzione di questi componenti deve essere effettuata esclusivamente da un centro assistenza autorizzato Alemite. In caso contrario la garanzia non sarà valida.</p>								

## Regole generali sulla sicurezza

**ATTENZIONE**

Leggere attentamente tutte le avvertenze sulla sicurezza e le istruzioni. La mancata osservanza delle avvertenze e delle istruzioni può comportare scosse elettriche, incendi e/o lesioni gravi. Conservare tutte le avvertenze e le istruzioni per riferimenti futuri. Il termine “utensile alimentato” utilizzato nelle avvertenze si riferisce all’utensile alimentato da rete elettrica (con cavo) o all’utensile alimentato a batteria (senza cavo).

**Sicurezza dell’area di lavoro**

- Mantenere l’area di lavoro pulita e ben illuminata. Le aree ostruite da oggetti e buie favoriscono gli incidenti.
- Non utilizzare gli utensili alimentati in atmosfere esplosive, ad esempio in presenza di liquidi, gas o polveri infiammabili. Gli utensili alimentati generano scintille, che possono fare incendiare le polveri o i fumi.
- Durante l’uso di un utensile alimentato, mantenere i bambini e gli estranei a distanza di sicurezza. Le distrazioni possono causare la perdita di controllo dell’utensile alimentato.

**Sicurezza elettrica**

- Le spine di corrente degli utensili alimentati devono corrispondere alla presa utilizzata. Non modificare la spina in alcun modo. Non utilizzare adattatori con gli utensili alimentati dotati di messa a terra (massa). Spine non modificate e prese di corrente adeguate riducono il rischio di scosse.
- Evitare il contatto con superfici collegate a massa quali tubi, termosifoni, stufe e frigoriferi. Se il proprio corpo è a contatto con la massa, il rischio di scosse elettriche è più elevato.
- Proteggere gli utensili alimentati dalla pioggia o da situazioni in cui possono bagnarsi. L’ingresso di acqua nell’utensile alimentato aumenta il rischio di scosse elettriche.
- Non utilizzare il cavo in modo inappropriato. Non utilizzare mai il cavo per trasportare, trascinare o scollegare l’utensile alimentato. Tenere il cavo lontano da fonti di calore, olio, oggetti affilati o parti in movimento. Cavi danneggiati o avvolti male aumentano il rischio di scosse elettriche.
- Se si utilizza un utensile alimentato all’esterno, adoperare una prolunga idonea. L’uso di prolunghere per esterno riduce il rischio di scosse elettriche.
- Se fare funzionare un utensile alimentato in una posizione umida è inevitabile, usare un rifornimento protettivo per dispositivo di corrente residuo (RCD). L’uso di un RCD riduce il rischio di shock elettrico.

**Sicurezza personale**

- Durante l’uso di un utensile alimentato, prestare estrema attenzione alle operazioni che si eseguono e adottare le norme cautelative dettate dal buon senso. Non utilizzare un utensile alimentato se si è stanchi o sotto l’influsso di droghe, alcol o farmaci. Un momento di disattenzione durante l’utilizzo degli utensili alimentati può causare gravi lesioni personali.
- Utilizzare le dotazioni di sicurezza. Indossare sempre una protezione per gli occhi. L’uso di dotazioni di sicurezza quali mascherina antipolvere, calzature di sicurezza antiscivolo, casco e protezione uditiva nelle condizioni appropriate riduce il rischio di lesioni.
- Evitare l’accensione accidentale. Prima di collegare l’utensile alla corrente, verificare che l’interruttore si trovi nella posizione di spegnimento. Il trasporto degli utensili alimentati con il dito posizionato sull’interruttore o il collegamento degli utensili con l’interruttore sulla posizione di accensione favorisce gli incidenti.
- Prima di accendere l’utensile alimentato, rimuovere eventuali chiavi di regolazione. Eventuali chiavi di regolazione lasciate collegate ad una parte rotante dell’utensile possono provocare lesioni.
- Non sbilanciarsi. Mantenere sempre l’appoggio dei piedi e l’equilibrio corretto. Ciò consente di esercitare un controllo ottimale dell’utensile alimentato in caso di situazioni impreviste.
- Indossare abbigliamento appropriato. Non indossare abiti non aderenti o gioielli. Tenere capelli, abiti e guanti lontani dalle parti in movimento. Abiti non aderenti, gioielli e capelli lunghi possono restare impigliati nelle parti in movimento.
- Se vengono forniti dispositivi per il collegamento di apparecchiature di estrazione e raccolta delle polveri, controllare che siano collegati e utilizzati correttamente. L’uso di tali dispositivi può ridurre i rischi legati alle polveri.

## Regole generali sulla sicurezza (Continuato)

**ATTENZIONE****Uso e manutenzione degli utensili alimentati**

- Non forzare l'utensile alimentato. Utilizzare l'utensile alimentato idoneo per l'applicazione in questione. L'utensile alimentato più idoneo permette di eseguire il lavoro in modo migliore e più sicuro se utilizzato alla velocità prescritta.
- Non utilizzare l'utensile alimentato se l'interruttore non si accende / spegne. Un utensile alimentato non controllabile mediante l'interruttore rappresenta un pericolo e va pertanto riparato.
- Prima di effettuare regolazioni, cambiare accessori o riporre gli utensili alimentati, scollegare la spina dalla presa di corrente. Queste misure preventive permettono di ridurre il rischio di accensioni accidentali degli utensili.
- Riporre gli utensili alimentati inutilizzati fuori dalla portata dei bambini; non consentire l'uso dell'utensile alimentato ad estranei non addestrati e non a conoscenza delle presenti istruzioni. Gli utensili alimentati rappresentano un pericolo se lasciati nelle mani di utenti non addestrati.
- Manutenzione degli utensili alimentati. Verificare il corretto allineamento delle parti in movimento, la presenza di eventuali parti guaste e di altre condizioni che possano influire sul funzionamento degli utensili alimentati. In caso di guasti, fare riparare l'utensile alimentato prima di utilizzarlo. Molti incidenti sono causati dalla scarsa manutenzione degli utensili alimentati.
- Mantenere gli utensili da taglio affilati e puliti. Gli utensili da taglio adeguatamente sottoposti a manutenzione e bene affilati sono meno soggetti a piegature e risultano più facili da controllare.
- Utilizzare l'utensile alimentato e tutti gli accessori attenendosi alle presenti istruzioni e in modo adeguato rispetto alla finalità della tipologia di utensile, tenendo conto delle condizioni di utilizzo e del lavoro da eseguire. L'uso dell'utensile alimentato per operazioni diverse da quelle prescritte può causare l'insorgere di situazioni pericolose.

**Uso e manutenzione degli utensili alimentati a batteria**

- Effettuare la ricarica utilizzando esclusivamente il caricabatterie specificato dal produttore. Un caricabatterie indicato per un determinato tipo di modulo batteria può comportare il rischio di incendi se utilizzato con un altro modulo batteria.
- Utilizzare gli utensili alimentati esclusivamente con moduli batteria appositamente progettati. L'uso di qualsiasi altro modulo batteria può comportare il rischio di lesioni e di incendi.
- Quando il modulo batteria non viene utilizzato, tenerlo a distanza da altri oggetti metallici quali graffette, monete, chiodi, viti, o altri oggetti metallici di piccole dimensioni che potrebbero creare un collegamento tra un contatto e l'altro. Il cortocircuito dei contatti della batteria può causare ustioni o incendi.
- In condizioni di utilizzo inappropriato, potrebbe fuoriuscire del liquido dalla batteria: evitare ogni contatto. In caso di contatto accidentale, risciacquare con acqua. In caso di contatto del liquido con gli occhi, richiedere l'intervento di un medico. Il liquido fuoriuscito dalla batteria può causare irritazioni o bruciature.

**Assistenza**

- Per l'assistenza all'utensile alimentato, rivolgersi a personale qualificato che utilizzi esclusivamente parti di ricambio identiche. Ciò garantisce che caratteristiche di sicurezza dell'utensile alimentato restino inalterate.

## Regole specifiche sulla sicurezza

**ATTENZIONE**

Questo ingrassatore può sviluppare pressioni elevate, fino a 8000 psi (552 Bar). La rottura dei componenti può causare emissioni di grasso sulla pelle e negli occhi, causando gravi lesioni e possibili amputazioni. In caso di lesioni, chiamare immediatamente un medico.

Non utilizzare senza gli opportuni mezzi di protezione, i guanti e gli occhiali di sicurezza. Tenere il tubo flessibile solo sulla parte della molla di protezione. Non utilizzare se il tubo flessibile è danneggiato o usurato. Controllare il tubo flessibile prima di ogni utilizzo. Usare solo un tubo flessibile per ingrassatore di tipo Alemite 340067.

Questo ingrassatore utilizza lubrificanti potenzialmente infiammabili e tossici in caso di ingestione. Non usare l'ingrassatore in prossimità di fiamme libere o di altre fonti infiammabili. Leggere tutti gli avvertimenti relativi ai lubrificanti prima di utilizzare l'ingrassatore.

Usare protezione per le orecchie per ridurre il rischio di perdere l'udito.

Staccare la batteria dell'ingrassatore a pressione prima di cambiare accessori o di mettere via l'apparecchio.

Scollegare la batteria dall'ingrassatore a pressione prima di cambiare accessori, riporre l'apparecchio o svitare il cilindro di grasso dalla pistola.

Prima di inserire il modulo batteria, verificare che l'interruttore si trovi nella posizione di spegnimento. L'inserimento del modulo batteria in un utensile alimentato con l'interruttore acceso favorisce gli incidenti.

Non tentare mai di aprire la batteria per qualsiasi motivo.

Non esporre la batteria all'acqua.

Non conservare la batteria in luoghi dove la temperatura può superare i 40° C (104° F).

Caricare la batteria solo a temperature ambiente comprese tra 4° C (40° F) e 40° C (104° F).



Attenzione! Per ridurre il rischio di lesioni, l'utente è tenuto a leggere il presente manuale di istruzioni.



Raccolta differenziata. Questo prodotto non deve essere smaltito con i normali rifiuti domestici.

## Caricamento e azionamento dell'ingrassatore

NOTA: Vedere la figura 2 per l'identificazione dei componenti utilizzati nelle procedure seguenti.

## Caricamento della cartuccia

1. Allentare il cilindro ingrassatore (30) dell'ingrassatore a pressione.

2. Tirare l'asta condotta e vincolare la gola dell'asta nella fessura praticata in fondo al cilindro ingrassatore.

3. Rimuovere la protezione di plastica dalla cartuccia.

4. Applicare uno strato di grasso sulla superficie interna esposta della cartuccia.

NOTA: Necessario solo in caso di ingrassatore nuovo.

5. Inserire la cartuccia nel cilindro ingrassatore.
  - Rimuovere la guarnizione dalla cartuccia.

6. Serrare il cilindro ingrassatore dell'ingrassatore a pressione.

7. Sganciare l'asta condotta dalla fessura praticata nel fondo del cilindro ingrassatore.
  - Inserire l'asta condotta nel cilindro ingrassatore.

## Caricamento mediante aspirazione

1. Allentare il cilindro ingrassatore (30) dell'ingrassatore a pressione.
2. Inserire la testina del cilindro ingrassatore nel grasso.
3. Estrarre lentamente l'asta condotta dal fondo del cilindro ingrassatore fino a rendere visibile la gola.
4. Bloccare la gola dell'asta condotta nella fessura praticata in fondo al cilindro ingrassatore.
5. Serrare il cilindro ingrassatore dell'ingrassatore a pressione.
6. Sganciare l'asta condotta dalla fessura praticata nel fondo del cilindro ingrassatore.
  - Inserire l'asta condotta nel cilindro ingrassatore.

## Caricamento mediante pompa

**AVVERTENZA**

L'ingrassatore può essere munito di un raccordo di caricamento a bassa pressione in opzione. Non sostituirlo con un raccordo ingrassatore ad alta pressione. Una pressione eccessiva potrebbe causare infortuni.

L'utilizzo di un raccordo ingrassatore annulla la validità della garanzia.

**ATTENZIONE**

Il raccordo di caricamento dell'ingrassatore deve essere idoneo al raccordo del caricatore. In caso di componenti non compatibili, la pompa potrebbe non funzionare.

1. Tirare l'asta e vincolare l'asta condotta facendo girare l'asta.

2. Posizionare il raccordo di caricamento nel raccordo del caricatore.
  - Tirare in basso per mantenere aperta la valvola del raccordo.
3. Attivare la pompa e osservare il movimento dell'asta condotta.
4. Disattivare la pompa quando la gola sull'asta condotta risulta visibile.
5. Svincolare l'asta condotta e inserirla nel cilindro ingrassatore

## Azionamento dell'ingrassatore

Nella maggior parte dei casi, l'ingrassatore si innesca azionando semplicemente il trigger relativo, varie volte.

Se il grasso non dovesse fuoriuscire, spurgare l'aria.

### Azionamento forzato

Questa procedura permette di spurgare manualmente l'aria contenuta nella valvola di spurgo.

1. Tirare l'asta e vincolare l'asta condotta facendo girare l'asta.
2. Premere sulla valvola di spurgo (35) e, contemporaneamente, spingere sull'asta condotta.

Dopo aver eliminato l'aria, azionare l'ingrassatore varie volte.

Quando il grasso comincia a fuoriuscire, svincolare l'asta condotta e inserirla nel cilindro ingrassatore.

## Utilizzo dell'ingrassatore

Il blocco batterie (50) è fornito leggermente carico (intenzionalmente).

Caricare le batterie prima dell'utilizzo.

- Per maggiori informazioni, consultare la sezione seguente.

La batteria deve essere caricata prima del primo utilizzo e nel caso in cui non riesca a produrre potenza sufficiente per interventi che in precedenza risultavano agevoli. La batteria potrebbe riscaldarsi durante la carica; si tratta di una condizione normale che non indica un problema.

### Indicatore di batteria scarica



L'indicatore di batteria scarica si accende quando la carica della batteria è sufficiente per erogare circa tre cartucce di grasso.

### Indicatore di blocco



L'indicatore di blocco si accende quando una condizione di blocco provoca l'apertura della protezione termica. Per spegnere l'indicatore di stallo, rilasciare il grilletto. La protezione termica si ripristina automaticamente.

## ATTENZIONE

**La presenza di sacche d'aria nel grasso può provocare il disinnesto dell'ingrassatore. Verificare l'innesco dopo ogni riempimento e prima di procedere alla lubrificazione.**

**Onde evitare che il motore si surriscaldi, l'ingrassatore è dotato di una protezione termica. Nel caso in cui cuscinetti, linee o raccordi ingrassatore bloccati arrestino il funzionamento dell'ingrassatore, la protezione termica si apre. Per garantire la durata massima del motore, evitare l'uso in caso di arresto.**

Verificare la contaminazione della valvola

In caso di problemi dell'ingrassatore, è possibile che l'arresto di uscita rimanga aperto. Rimuovere il tappo (47), pulire il cuscinetto (44), e l'alloggio della sfera della testa (17).

## Regole sulla sicurezza relative al modulo batteria e al caricabatterie

Il presente manuale contiene importanti istruzioni per l'uso e la sicurezza relative al blocco batterie, elemento n. 343151, e per il caricabatteria, elemento n. 343152 e 34153.



## ATTENZIONE

**Prima di utilizzare il caricabatterie, leggere tutte le istruzioni e le etichette di sicurezza relative al caricabatterie (52), al blocco batterie (50) e ai prodotti inerenti al blocco batterie.**

**Per ridurre i rischi di lesioni, utilizzare unicamente batterie ricaricabili al ioni di litio. Pile diverse potrebbero esplodere e provocare lesioni.**

**Non utilizzare prolunghes se non quando assolutamente necessario. L'utilizzo di una prolunga inadeguata potrebbe provocare rischi d'incendio e di scosse elettriche. In caso di utilizzo di una prolunga, assicurarsi che sia di calibro 18. Assicurarsi che gli spinotti sulla presa della prolunga siano dello stesso calibro, dimensione e forma della presa del caricabatterie. Assicurarsi che la prolunga sia collegata correttamente e non presenti difetti.**

**Non incenerire il blocco batterie, anche se seriamente danneggiato o completamente usurato. Il blocco batterie potrebbe esplodere e incendiarsi.**

**ATTENZIONE**

Evitare di esporre il caricabatterie alla pioggia, alla neve o al gelo.

Per ridurre i rischi di danneggiamento della presa elettrica o del cavo, scollegare il caricabatterie tirando dalla presa piuttosto che dal cavo.

Assicurarsi di posizionare il cavo in luogo sicuro dove non possa essere calpestato o danneggiato e dove non vi si possa inciampare.

Non mettere in funzione il caricabatterie in caso di presa o cavo danneggiati. Se così fosse, sostituirli immediatamente.

Non attivare il caricabatterie dopo un urto, una caduta o un qualsiasi danneggiamento.

Non smontare il caricabatterie.

Non caricare il blocco batterie quando la temperatura è inferiore a 4° C (40° F) o superiore a 40° C (104° F).

Il caricabatterie è concepito per un utilizzo con alimentazione elettrica domestica standard. Non cercare di farlo funzionare con un voltaggio diverso.

Eventuali ricariche consecutive potrebbero causare un surriscaldamento. Se dovesse essere necessario ricaricare il blocco batterie più volte di seguito, attendere almeno 15 minuti per consentire al caricabatterie di raffreddarsi.

Non inserire corpi estranei nel vano del blocco batterie del supporto del caricabatterie.

Non smontare il blocco batterie.

Non conservare l'ingrassatore e il blocco batterie in luoghi in cui la temperatura potrebbe raggiungere o superare i 40° C (104° F).

Non mettere in corto circuito il blocco batterie. Non scaricare il blocco batterie oltre i normali limiti di utilizzo. Ulteriori scaricamenti (ad esempio, posizionando un elastico sul trigger) possono scaricare

eccessivamente l'apparecchio e invertire la polarità di un elemento, rendendo inutilizzabile il blocco batterie.

Non conservare il caricabatterie in luoghi troppo caldi o troppo freddi. Il funzionamento ottimale avviene a normale temperatura ambiente.

**Funzionamento del caricabatterie**

Caricare il blocco batterie solo mediante l'apposito dispositivo di caricamento.

Verificare che il voltaggio del circuito di potenza corrisponda a quello mostrato sulla targhetta delle specifiche del caricabatterie. Premere per accertarsi che la batteria si inserisca correttamente nei contatti del caricabatterie.

**Funzione delle spie rossa e verde**

- Spia rossa lampeggiante  
Quando il caricabatterie è acceso, la luce rossa lampeggia una volta.
- Spia verde lampeggiante ■ ■ ■  
In carica.
- Spia verde accesa ■■■■■  
Ricarica della batteria completata.
- La luce rossa lampeggiante a 4 Hz ■■■■■  
La batteria non si carica.
- La luce rossa lampeggiante a 1 Hz/ 5 Hz ■■■■■  
Batteria surriscaldata. La ricarica riprende quando la temperatura della batteria scende a 40°C (104°F). Il surriscaldamento della batteria potrebbe essere attribuito alle seguenti cause:
  - A. Funzionamento per tempi prolungati
  - B. Temperatura ambiente elevata
  - C. Una o più celle danneggiate

E' necessario ricaricare l'apparecchio per 1 ora per ottenere una carica completa.

Il blocco batterie si scalda leggermente durante la ricarica. Ciò è normale e non indica un problema.

**Dichiarazione CE di conformità**

**ALEMITE, LLC**  
167 Roweland Drive  
Johnson City, Tennessee, USA 37601



Dichiara che sotto la sola responsabilità per la fornitura della macchina descritta come:

**TIPO/SERIE:** Ingrassatore a pressione senza filo

**MODELLO:** 595-A, 595-B, 595-C, 595-D

Questi prodotti sono conformi alle seguenti direttive della Comunità Europea: 2006/42/EC

Gli standard seguenti sono stati utilizzati per verificare la conformità alle direttive:

EN60745, EN60335-1, EN60335-2

Approvato da:

Data: December 14, 2011

Direttore reparto ingegneria: Robert Hoefler



## Snoerloze vetspuit

### Beschrijving

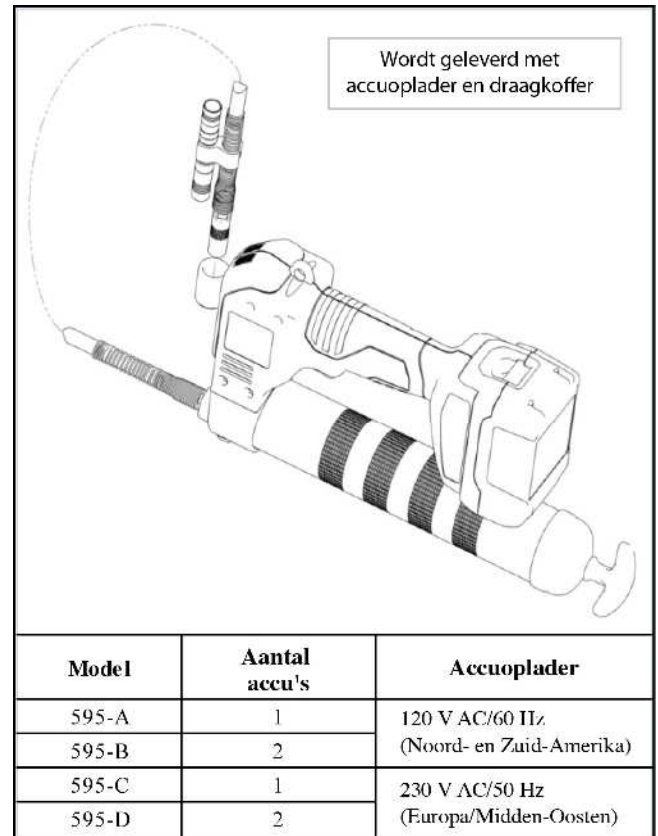
De vetspuiten van dit model zijn ontworpen om op petroleum gebaseerde smeestoffen (tot NLGI 2) af te geven voor algemene smeertoepassingen. Dit model wordt geleverd met een 36" (0,91 meter) lange hogedrukvetslang, hoogwaardige smeerkop, 1 uurslader en bijpassende draagkoffer. De spuiten zijn voorzien van indicatorlampjes voor batterijcapaciteit en stilvallen van de motor, en een handig LED-lampje.

De spuiten zijn voorzien van een 18 voltmotor met versnellingsvertraging in drie fases. Een mechanisme bestaande uit krukarm en aandrijfjas drijft een heen-en-weer gaande zuigerpomp aan. De motor wordt van stroom voorzien door een oplaadbare Volt/3000 mAh lithium-ionaccu.

Elk model vetspuit heeft een ontwerp waarmee het op drie manieren gevuld kan worden: vetpatronen, zuigen en bulkpomp (hiervoor is de optionele vulfitting 322610 nodig). De spuiten zijn voorzien van een veerbekrachtigde vetzuiger en ontluchtingsnippel om het ontluchten te vereenvoudigen.

### Optionele accessoires

Schouderband	Mobiele accuoplader (12 V DC naar 18 V DC)	Laadfitting
339812	343154	322610



Figuur 1 Snoerloze vetspuit, serie 595

### Specificaties

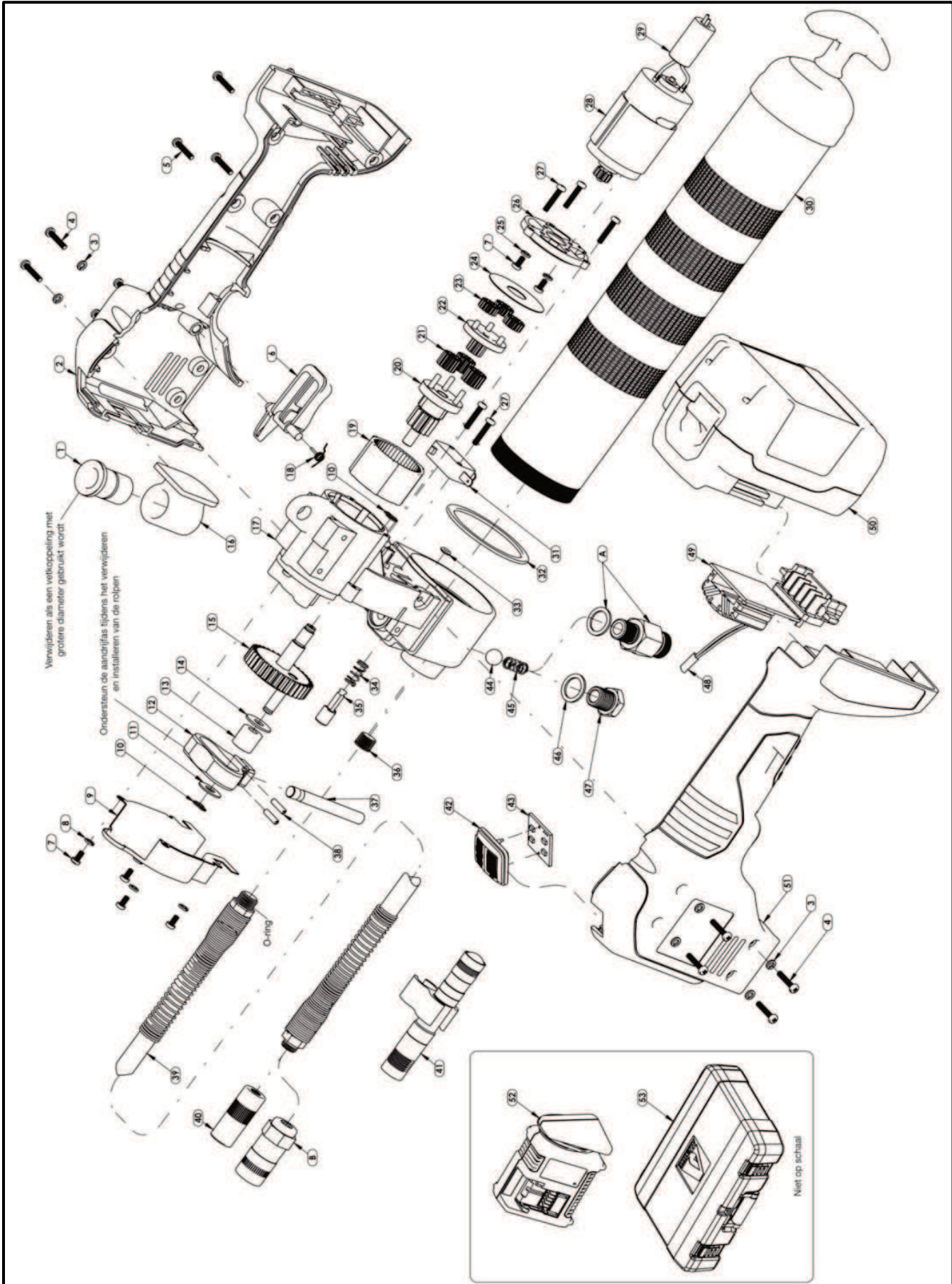
Maximale druk		Stroomsnelheid		Afgiftecapaciteit bij volledig opgeladen accu	Capaciteit vetcilinder			Slangcombinatie				Gewicht (leeg)	
					Bulk	Grootte van de cartridge	Druk	Lengte					
psi	bar	Ounce/minuut	Gram/minuut	Cartridges	Ounces	Gram	Ounces	psi	bar	Inches	Meters	Lbs	Kg
8.000	552	6	170	27 <sup>1</sup>	16	454	14	10.000	690	36	0,91	7,2	3,3

Geluidsdruk ( $L_{pA}$ ) 72,3 dB(A), onzekerheid (K) 3 dB(A)

Akoestisch vermogen ( $L_{WA}$ ) 83,3 dB(A), onzekerheid (K) 3 dB(A)

Vibratie-emissiewaarde ( $a_{hh}$ ) 0,6 m/s<sup>2</sup>, onzekerheid (K) 1.5 m/s<sup>2</sup>

<sup>1</sup> NLGI 2 EP-lithiumvet op 75 °F (24 °C) afgegeven door middel van bijgevoegde slang met smeerkop en tegen 150 psi (10 bar) toegevoegde druk (simuleert vetfitting met balkeerklep).



Figuur 2 Snoerloze vetspuit, serie 595 – Explosieoverzicht

Itemnummer	Onderdeelnummer	Beschrijving	Aantal	Reparatiekit					Aantekeningen
				393795-6 Balkeerklep	393757 Ontluchtingsklep	393795-20 Elektronisch circuit*	393795-12 Kop*		
1		Inzetstuk, koppeling (rubber)	1						
2		Behuizing, rechts	1						
3		Sluitring	10						
4		Schroef, machine	8						
5		Tapschroef	4						
6		Trekker	2						
7		Schroef, M3 x 6	6						
8		Sluitring, M3	4						
9		Afdekking, kop	1						
10		Borgring	2				•		
11		Sluitring, 0,24" binnendiameter x 0,67" buitendiameter	1						
12		Aandrijfas	1						
13		Lager	1						
14		Sluitring, 0,24" binnendiameter x 0,59" buitendiameter	1						
15		Versnellingsconstructie, output	1						
16		Holster	1						
17		Kop- en lagerconstructie	1				•		
18		Trekkerveer	1						
19		Versnelling, interne	1						
20		Versnelling, outputpignon	1						
21		Versnelling, planeetwiel (tweede fase)	3						
22		Versnelling, zonnwiel (tweede fase)	1						
23		Versnelling, planeetwiel (eerste fase)	3						
24		Ring	1						
25		Sluitring	2						
26		Motorbevestiging	1						
27		Schroef, M3 x 16	5						
28	393795-19*	Motorconstructie (met versnellingszonnwiel)	1						
29		Ringmagneet	1						
30	339820	Vetcilinderconstructie	1						
31		Schakelaar	1			•			
32	336523	Pakking	1						
33		O-ring	1		•				
34		Ontluchtingsklepveer	1		•				
35		Ontluchtingsklep	1		•				
36		Plug	1						
37		Zuiger	1				•		
38		Rolpen	2				•		
39	340067	Vetslangconstructie	1					Nooit Verisselen	
40	308730	Vetkoppeling	1						
41	343170	Lamp met clip	1						
42		LED-lens	1						
43		LED-circuitboard	1			•			
44		Balkeerklep, 3/8" diameter	1	•					
45		Klepveer	1	•					
46		Pakking (koper)	1	•			•		
47		Klepplug	1	•					
48		Thermische bescherming	1			•			
49		Circuitboard- en accuconnector	1			•			
50	343151	Accu, 18V	1					Modellen 595-A, -C	
			2					Modellen 595-B, -D	
51		Behuizing, links	1						
52	343152	Accuoplader (120 Volt AC/60 Hz)	1					Modellen 595-A, -B	
	343153	Accuoplader (230 Volt AC/50 Hz)	1					Modellen 595-C, -D	
53		Draagtas	1						
<b>Optioneel</b>									
A	340338	Ontluchtingsklep met pakking							
B	6304-B	Vetkoppeling							

Legenda:

Onderdeelnummers die leeg zijn, worden niet los verkocht.

\*Vervanging van deze onderdelen door iemand anders dan een geautoriseerd servicecenter van Alemite, maakt de garantie ongeldig.



## WAARSCHUWING

Lees alle veiligheidswaarschuwingen en alle instructies. Het nalaten de waarschuwingen en instructies op te volgen, kan leiden tot elektrische schokken, brand en/of ernstig letsel. Bewaar alle waarschuwingen en instructies zodat u ze later nog kunt raadplegen. De term 'elektrisch gereedschap' in de waarschuwingen refereert aan uw elektrisch aangedreven gereedschap (met snoer) of door een accu aangedreven gereedschap (snoerloos).

### Veiligheid op de werkplek

- Houd de werkplek schoon en goed verlicht. Rommelige en donkere werkplekken nodigen uit tot ongelukken.
- Bedien geen elektrisch gereedschap in explosieve omgevingen, zoals in de aanwezigheid van brandbare vloeistoffen, gassen of stof. Elektrisch gereedschap kan vonken veroorzaken wat stof of dampen kan ontsteken.
- Houd kinderen en omstanders uit de buurt tijdens het werken met elektrisch gereedschap. Aflleidingen kunnen ervoor zorgen dat u de controle verliest.

### Elektrische veiligheid

- Elektrisch gereedschap moet passen bij het aanwezige stopcontact. De stekker mag nooit worden aangepast. Gebruik geen adapterstekkers met geaard elektrisch gereedschap. Stekkers die niet zijn aangepast en bijpassende stopcontacten verminderen het risico op elektrische schokken.
- Voorkom lichaamscontact met geaarde oppervlakken zoals pijpen, radiators, kookplaten en koelkasten. Er bestaat een verhoogd risico op elektrische schokken als uw lichaam geaard is.
- Stel elektrisch gereedschap niet bloot aan regen of natte omstandigheden. Als er water in elektrisch gereedschap komt, vergroot dat het risico op een elektrische schok.
- Gebruik het snoer alleen waarvoor het bestemd is. Gebruik het snoer nooit voor het dragen of trekken van het gereedschap en trek er ook niet aan om de stekker uit het stopcontact te halen. Houd het snoer uit de buurt van hitte, olie, scherpe randen of bewegende delen. Beschadigde of in de knoop geraakte snoeren verhogen het risico op een elektrische schok.
- Als u elektrisch gereedschap buitenshuis gebruikt, moet u een verlengsnoer gebruiken dat geschikt is voor gebruik buitenshuis. Gebruik van een snoer dat geschikt is voor gebruik buitenshuis, vermindert het risico op een elektrische schok.
- Als het niet te voorkomen is dat elektrisch gereedschap in een vochtige ruimte gebruikt moet worden, moet een stopcontact met aardlekschakelaar gebruikt worden. Het gebruik van een aardlekschakelaar vermindert het risico op een elektrische schok.

### Persoonlijke veiligheid

- Blijf alert, kijk wat u aan het doen bent en gebruik uw gezonde verstand bij het werken met elektrisch gereedschap. Gebruik geen elektrisch gereedschap als u moe bent of als u onder invloed bent van drugs, alcohol of medicijnen. Een moment van onoplettendheid tijdens het werken met elektrisch gereedschap kan ernstig persoonlijk letsel tot gevolg hebben.
- Gebruik persoonlijke beschermingsuitrusting. Draag altijd oogbescherming. Veiligheidsuitrusting zoals stofmaskers, veiligheidsschoenen met antislipzolen, helmen of gehoorbescherming die gebruikt worden in de juiste omstandigheden, vermindert het risico op persoonlijk letsel.
- Voorkom onbedoeld starten van het gereedschap. Zorg ervoor dat de schakelaar zich in de Uit-positie bevindt voor u de stekker in het stopcontact steekt en/of de accu aansluit, en voor u het gereedschap oppakt of gaat dragen. Het dragen van elektrisch gereedschap met uw vinger op de Aan/Uit-schakelaar of het op een stroombron aansluiten van elektrisch gereedschap met de Aan/Uit-schakelaar op Aan, nodigt uit tot ongelukken.
- Verwijder eventuele instelsleutels voordat u het elektrische gereedschap aanzet. Een sleutel die nog bevestigd is aan een roterend onderdeel van het elektrische gereedschap, kan persoonlijk letsel veroorzaken.
- Reik niet te ver weg. Houd altijd een juiste steun op uw voeten en zorg ervoor dat u altijd in balans blijft. Dit zorgt ervoor dat u in onverwachte situaties betere controle houdt over het elektrische gereedschap.
- Draag de juiste kleding. Draag geen loszittende kleding of sieraden. Houd uw haar, kleding en handschoenen uit de buurt van bewegende onderdelen. Loszittende kleding, sieraden of lang haar kan vast komen te zitten in bewegende onderdelen.
- Als er hulpmiddelen voor het afvoeren en verzamelen van stof bij het gereedschap geleverd zijn, moet u ervoor zorgen dat deze bevestigd zijn en op de juiste manier gebruikt worden. Het gebruik van deze hulpmiddelen kan aan stof gerelateerde risico's verminderen.



## WAARSCHUWING

### Gebruik en onderhoud van elektrisch gereedschap

- Forceer het elektrische gereedschap niet. Gebruik het juiste elektrische gereedschap voor uw toepassing. Het juiste elektrische gereedschap doet de taak beter en veiliger op de snelheid waarvoor het ontworpen was.
- Gebruik het elektrische gereedschap niet als u het gereedschap niet met de Aan/Uit-schakelaar kunt aan- en uitzetten. Elektrisch gereedschap dat niet met de Aan/Uit-schakelaar bediend kan worden, is gevaarlijk en moet gerepareerd worden.
- Haal de stekker uit het stopcontact voordat u aanpassingen aanbrengt aan elektrisch gereedschap, accessoires verwisselt of elektrisch gereedschap opbergt. Dergelijke preventieve veiligheidsmaatregelen verminderen het risico op het onbedoeld starten van het elektrische gereedschap.
- Berg ongebruikt elektrisch gereedschap op buiten bereik van kinderen en laat personen die niet bekend zijn met het elektrische gereedschap of deze instructies, het gereedschap niet gebruiken. Elektrisch gereedschap is gevaarlijk in de handen van ongetrainde gebruikers.
- Onderhoud elektrisch gereedschap. Controleer op een verkeerde uitlijning of bevestiging van bewegende onderdelen, op gebroken onderdelen of elke andere toestand die een negatieve invloed heeft op het werken met het elektrische gereedschap. Laat elektrische gereedschap dat beschadigd is, repareren voordat u het weer gaat gebruiken. Vele ongelukken worden veroorzaakt door slecht onderhouden elektrisch gereedschap.
- Houd snijgereedschap scherp en schoon. Goed onderhouden snijgereedschap met scherpe snijranden loopt minder snel vast en is eenvoudiger te bedienen.
- Gebruik het elektrische gereedschap, de accessoires, bits, enz. conform deze instructies en op de manier die bedoeld is voor het betreffende type elektrische gereedschap, waarbij u rekening houdt met de werkomstandigheden en het werk dat verricht moet worden. Gebruik van het elektrische gereedschap voor andere werkzaamheden dan het bedoelde gebruik kan gevaarlijke situaties veroorzaken.

### Gebruik en onderhoud van de accu

- Laad de accu uitsluitend op met de oplader die door de fabrikant gespecificeerd is. Een oplader die voor het ene type accu geschikt is, kan een risico op brand veroorzaken als het gebruikt wordt met een ander type accu.
- Gebruik elektrisch gereedschap uitsluitend met de specifiek daarvoor bestemde accu's. Het gebruik van andere accu's kan risico op letsel en brand veroorzaken.
- Houd de accu als u deze niet gebruikt, uit de buurt van andere metalen voorwerpen zoals paperclips, munten, sleutels, spijkers, schroeven of andere kleine metalen voorwerpen die een verbinding kunnen maken tussen de twee contactpunten. Het kortsluiten van de twee contactpunten van de accu kan brandwonden of brand veroorzaken.
- Onder slechte omstandigheden kan vloeistof uit de accu ontsnappen. Vermijd contact met die vloeistof. Als er toch onbedoeld contact optreedt, spoelen met water. Als de vloeistof in de ogen komt, moet tevens medische hulp ingeroepen worden. Vloeistof die uit de accu ontsnapt, kan irritatie of brandwonden veroorzaken.

### Service

- Laat uw elektrische gereedschap onderhouden door een gekwalificeerde servicemonteur die uitsluitend identieke vervangende onderdelen gebruikt. Dit draagt bij aan het behouden van de veiligheid van het elektrische gereedschap.

## Specifieke veiligheidsregels

**WAARSCHUWING**

De vetspuit kan hoge druk opbouwen tot wel 8000 psi (552 bar). Door het scheuren van onderdelen kan vet in de huid en ogen geïnjecteerd worden, wat ernstig letsel en mogelijk amputatie kan veroorzaken. Roep direct medische hulp in als er letsel ondervonden wordt.

Bedien het gereedschap niet zonder de juiste veiligheidsbescherming, handschoenen en veiligheidsbril. Houd de slang uitsluitend vast bij de veerbescherming. Gebruik het gereedschap niet als de slang beschadigd of versleten is. Inspecteer de slag voorafgaand aan elk gebruik. Gebruik uitsluitend een Alemite-vetslang van het model 340067.

Deze vetspuit maakt gebruik van smeermiddelen die mogelijk giftig bij inname en brandbaar zijn. Gebruik de vetspuit niet in de buurt van open vuur of andere brandrisico's. Lees alle waarschuwingen op smeermiddelen voordat u deze vetspuit gaat gebruiken.

Gebruik gehoorbescherming om het risico op gehoorverlies te verminderen.

Haal de accu van de vetspuit af voordat u accessoires gaat verwisselen, de vetspuit opbergt of de vetcilinder van de vetspuit afhaalt.

Controleer of de Aan/Uit-schakelaar op Uit staat voordat u de accu in het gereedschap zet. Het inzetten van de accu in elektrisch gereedschap waarvan de Aan/Uit-schakelaar op Aan staat, nodigt uit tot ongelukken.

Probeer om geen enkele reden de accu te openen.

Stel de accu niet bloot aan water.

Bewaar de accu niet op plaatsen waar de temperatuur hoger kan worden dan 40 °C (104 °F).

De accu mag uitsluitend worden opgeladen bij omgevingstemperaturen van tussen de 4 °C (40 °F) en 40 °C (104 °F).



**Waarschuwing!** Om het risico op letsel te verminderen, moet de gebruiker de instructiehandleiding lezen.



Apart weggooien. Dit product mag niet weggegooid worden met normaal huishoudelijk afval.

## Laden en ontluichten van de vetspuit

**OPMERKING:** Raadpleeg **Figuur 2** voor de identificatie van de onderdelen bij de volgende procedures.

## Laden van de cartridge

1. Draai de vetcilinder (30) los van de vetspuit.

2. Trek aan de aanvoerstang en zet de groef in de aanvoerstang vast in de inkeping van de dop van de vetcilinder.
3. Haal de plastic dop van de cartridge.
4. Breng een laagje vet aan op de blootliggende binnenkant van de cartridge.

**OPMERKING:** Dit hoeft u alleen te doen bij een vetspuit die nog nooit gebruikt is.

5. Zet de cartridge in de vetcilinder.
  - Haal de verzegeling met het lipje van de cartridge.
6. Schroef de vetcilinder op de vetspuit.
7. Maak de aanvoerstang los uit de inkeping in de dop van de vetcilinder.
  - Druk de aanvoerstang in de vetcilinder.

## Zuiglading

1. Draai de vetcilinder (30) los van de vetspuit
2. Steek de kop van de vetcilinder onder het vetoppervlak.
3. Trek de aanvoerstang langzaam uit de dop van de vetcilinder tot de groef zichtbaar is.
4. Zet de groef van de aanvoerstang in de inkeping van de dop van de vetcilinder.
5. Schroef de vetcilinder op de vetspuit.
6. Maak de aanvoerstang los uit de inkeping in de dop van de vetcilinder.
  - Druk de aanvoerstang in de vetcilinder.

## Laadpomp

**WAARSCHUWING**

De vetspuit kan voorzien zijn van een optionele lagedruklaadfitting. Verwar deze niet met een vetfitting voor hoge druk. Door overmatige druk kan persoonlijk letsel veroorzaakt worden.

**Het gebruik van een vetfitting maakt de garantie ongeldig.**

**LET OP**

**De laadfitting op de vetspuit moet passen bij de laadkoppeling. De pomp werkt mogelijk niet als de onderdelen niet bij elkaar passen.**

1. Trek aan de aanvoerstang en zet de aanvoer vast door de stang te draaien.
2. Plaats de laadfitting in de laadkoppeling.
  - Druk omlaag om de klep van de koppeling open te houden.

3. Bedien de pomp en let op de beweging van de aanvoerstang.
4. Zet de pomp uit zodra de groef op de aanvoerstang zichtbaar is.
5. Maak de aanvoerstang los van de aanvoer en duw hem in de vetcilinder.

## De vetspuit ontluichten

In de meeste gevallen wordt de vetspuit ontluicht door de trekker verschillende keren over te halen.

Als er geen vet tevoorschijn komt, moet u de lucht laten ontsnappen.

### Handmatig ontluichten

Hiermee laat u de lucht handmatig ontsnappen bij de ontluichtingsklep.

1. Trek aan de aanvoerstang en zet de aanvoer vast door de stang te draaien.
2. Druk de ontluichtingsklep (35) in en duw tegelijkertijd de aanvoerstang in.

Zodra de lucht ontsnapt is, haalt u een paar keer de trekker over.

Zodra het vet verschijnt, maakt u de aanvoerstang los van de aanvoer en duwt u hem in de vetcilinder.

## Bedienen van de vetspuit

De accu (50) wordt met opzet verzonden met een lage lading.

Laad de accu op voor u hem gaat gebruiken.

- Raadpleeg de volgende paragraaf voor meer bijzonderheden.

De accu moet vóór het eerste gebruik worden opgeladen en telkens als hij niet genoeg stroom levert voor taken die eerder eenvoudiger verliepen. De accu kan tijdens het opladen warm worden. Dit is normaal en geeft geen probleem aan.

### Indicator voor lage accuspanning



De indicator voor lage accuspanning gaat branden als er voldoende lading is om ongeveer drie vetcartridges af te geven.

### Indicator voor stilvallen van de motor



De indicator voor stilvallen van de motor gaat branden als een toestand voor stilvallen van de motor er de oorzaak van is dat de thermische bescherming opengaat. Laat de trekker los om de indicator voor stilvallen van de motor uit te laten gaan. De thermische bescherming wordt automatisch gereset.

## LET OP

**Luchtbellen in het vet kunnen er de oorzaak van zijn dat de vetspuit niet meer ontluicht is. Controleer na elke navulling en voorafgaand aan het smeren of de vetspuit is ontluicht.**

**De vetspuit is voorzien van een thermische bescherming om te voorkomen dat de motor oververhit raakt. Als een geblokkeerde lager, lijn of vetfitting er de oorzaak van is dat de motor van de vetspuit stilvalt, gaat de thermische bescherming open.**

**Voor een maximale levensduur van de motor moet het bedienen van de vetspuit als de motor stilgevallen is, voorkomen worden**

### Klepverontreiniging controleren

Als de vetspuit niet werkt, kan het zijn dat de uitlaat openstaat. Verwijder de plug (47), maak de lager (44) en de lagerzitting van de kop (17) schoon.

## Veiligheidsregels voor de accu en de oplader

Deze handleiding bevat belangrijke veiligheids- en bedieningsinstructies voor de accu (onderdeelnummer 343151) en de accuopladers (onderdeelnummers 343152 en 343153).



## WAARSCHUWING

**Lees vóór gebruik alle instructies en waarschuwingsaanduidingen op de accuoplader (52), de accu (50) en producten waarvoor de accu gebruikt wordt.**

**Om het risico op letsel te verminderen, mogen uitsluitend oplaadbare accu's van het type Lithium-ion gebruikt worden. Andere soorten accu's kunnen barsten wat letsel kan veroorzaken.**

**Tenzij absoluut noodzakelijk mag er geen verlengsnoer gebruikt worden. Gebruik van een onjuist verlengsnoer zou risico op brand en elektrische schok kunnen veroorzaken. Als er toch een verlengsnoer gebruikt moet worden, controleer dan of het 16 ampère is. Controleer of de pinnen van de stekker van het verlengsnoer dezelfde zijn voor wat betreft aantal, grootte en vorm als die van de stekker van de oplader. Zorg ervoor dat het verlengsnoer juist bedraad is en zich in een goede elektrische toestand bevindt.**

**Verbrand de accu niet, zelfs niet als deze ernstig beschadigd of volledig versleten is. De accu kan in vuur exploderen.**

**LET OP**

Stel de oplader niet bloot aan regen, sneeuw of vorst. Om het risico op schade aan de stekker en het snoer te verminderen, trekt u aan de stekker en niet aan het snoer om de stekker van de oplader uit het stopcontact te halen.

Zorg ervoor dat het snoer zodanig gepositioneerd is dat niemand erop kan gaan staan, erover kan struikelen of anderszins schade aan of trek op het snoer kan veroorzaken.

Gebruik de oplader niet als het snoer of de stekker beschadigd is. Vervang de accu onmiddellijk.

Gebruik de oplader niet als deze een scherpe klap gekregen heeft, gevallen is of anderszins beschadigd is.

Demonteer de oplader niet.

Laad de accu niet op als de temperatuur lager dan 4 °C (40 °F) of hoger dan 40 °C (104 °F) is.

De oplader is ontworpen om te werken op een standaard huishoudelijke stroomvoorziening. Probeer de oplader niet te gebruiken op andere voltages

Voortdurende opladingen kunnen oververhitting veroorzaken. Als u de accu voortdurend moet opladen, moet u ongeveer 15 minuten wachten om de oplader de gelegenheid te geven af te koelen.

Steek geen vreemde voorwerpen in de opening voor de accu in de oplaadstandaard.

Demonteer de accu niet.

Bewaar de vetspuit met bevestigde accu niet op plaatsen waar de temperatuur 40 °C (104 °F) of hoger kan worden.

Sluit de accu niet kort.

**Bewaar de oplader niet op een plaats die extreem koud of extreem warm kan worden. De oplader werkt het best op normale kamertemperatuur.**

**Bediening van de accuoplader**

Laad de accu uitsluitend op met de bijgeleverde accuoplader. Zorg ervoor dat het voltage van de stroomvoorziening hetzelfde is als het voltage dat weergegeven wordt op het specificatielabel van de oplader. Druk de accu goed naar beneden om ervoor te zorgen dat deze goed tegen de contactpunten van de oplader aandrukt.

**Functie van de rode en groene lampjes**

- Knipperend rood lampje  
Als de oplader aangezet wordt, knippert het rode lampje eenmaal.
  - Knipperend groen lampje ■ ■ ■  
Bezig met opladen.
  - Groene lampje brandt ██████  
Accu volledig opgeladen.
  - Rode lampje knippert op 4 Hz ■■■■■■  
Accu laadt niet op.
  - Rode lampje knippert op 1 tot 5 Hz ■■■■■  
Accu te warm. Het opladen wordt hervat als de accu afkoelt tot 40 °C (104 °F).
- De oververhitting van de accu kan door het volgende veroorzaakt worden:
- A. Langdurig en continu gebruik
  - B. Te warme omgevingstemperatuur
  - C. Een of meer cellen zijn beschadigd

Het duurt één uur om de accu volledig op te laden.

De accu wordt enigszins warm tijdens het opladen. Dit is normaal en geeft niet aan dat er een probleem is.

**EC-conformiteitsverklaring**

**ALEMITE, LLC**  
167 Roweland Drive  
Johnson City, Tennessee, USA 37601



Verklaart onder de enige verantwoordelijkheid voor het leveren van het gereedschap dat beschreven wordt als:

**TYPE/SERIE:** Snoerloze vetspuit  
**MODEL:** 595-A, 595-B, 595-C, 595-D

dat deze producten voldoen aan de volgende richtlijnen van de Europese Gemeenschap: 2006/42/EC  
De volgende normen werden gebruikt om naleving met de richtlijnen te verifiëren:

EN60745, EN60335-1, EN60335-2

Goedgekeurd door:

Director of Engineering: Robert Hoefler

Datum: December 14, 2011